

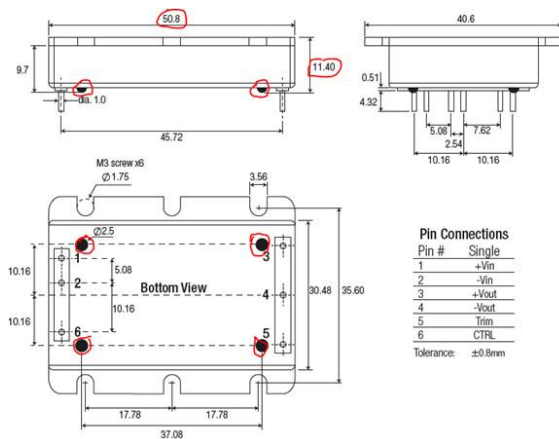
## Affected Products – RPR30 and RPR50 DC/DC Converters

Dear customers, we herewith inform you about a product change in the following products:

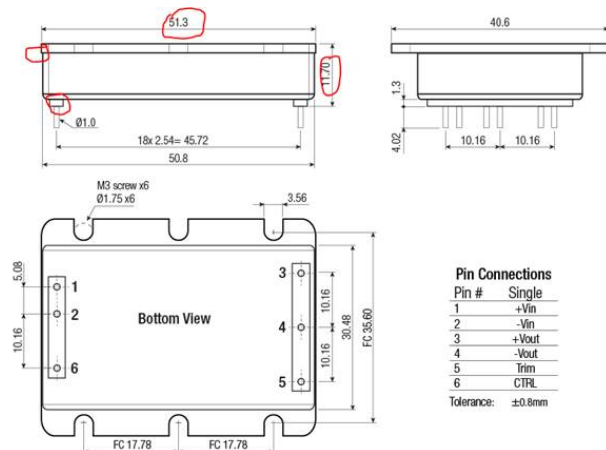
Art #	Recom Products
30003195	RPR30-11005S-B
30003196	RPR30-11012S-B
30003198	RPR30-11024S-B
30003014	RPR50-11024S-B
30003481	RPR50-11005S-B
30003482	RPR50-11012S-B

Due to issues with isolation, the metal case impressed standoffs will be removed and the plastic insulation around the pins made thicker to compensate. The new case design no longer sits directly onto the PCB, thus eliminating a potential cause of isolation failure between the pins and the case due to tracking through environmental contaminants such as dust, dirt and moisture on the PCB. This change is effective immediately.

### Original Case Design (Drawing 1)



### New Case Design (Drawing 2)



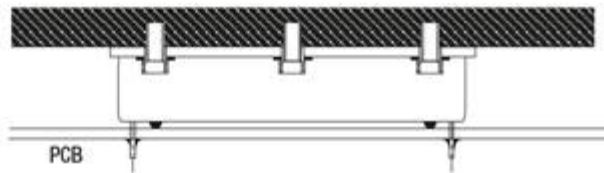
### List of mechanical changes:

- 1: the original case design embossed spacers (marked in black in Drawing 1) have been removed.
- 2: The plastic insulation around the pins has been increased in thickness from 0.51mm to 1.3mm (drawing 2)
- 3: The bottom of the case has a clearance to the PCB of 1.3mm instead of 0 mm.
- 4: The length of the case has been increased by 0.4mm to give increased clearance between the internal PCB and the case.

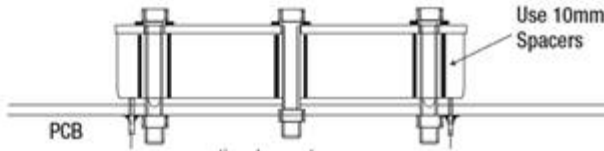
The mounting positions and instructions have not changed.

Mounting Instruction

Baseplate Case Fixing - Mounting onto Heatsink/Bulkhead



Baseplate Case Fixing - Anti Vibration Mounting onto PCB



There is no change to the electrical specifications.

Issue Date: 05 March 2019

Steve Roberts  
Technical Director  
RECOM Engineering, Gmunden,  
Austria

For further information, please contact our sales teams:

<b>Europe:</b>	Tel: +49 (0) 6102-88381-0	or	_____
<b>Asia:</b>	Tel: +65 62768795	or	_____
<b>North-America:</b>	Tel: +1-720-386-0400	or	_____