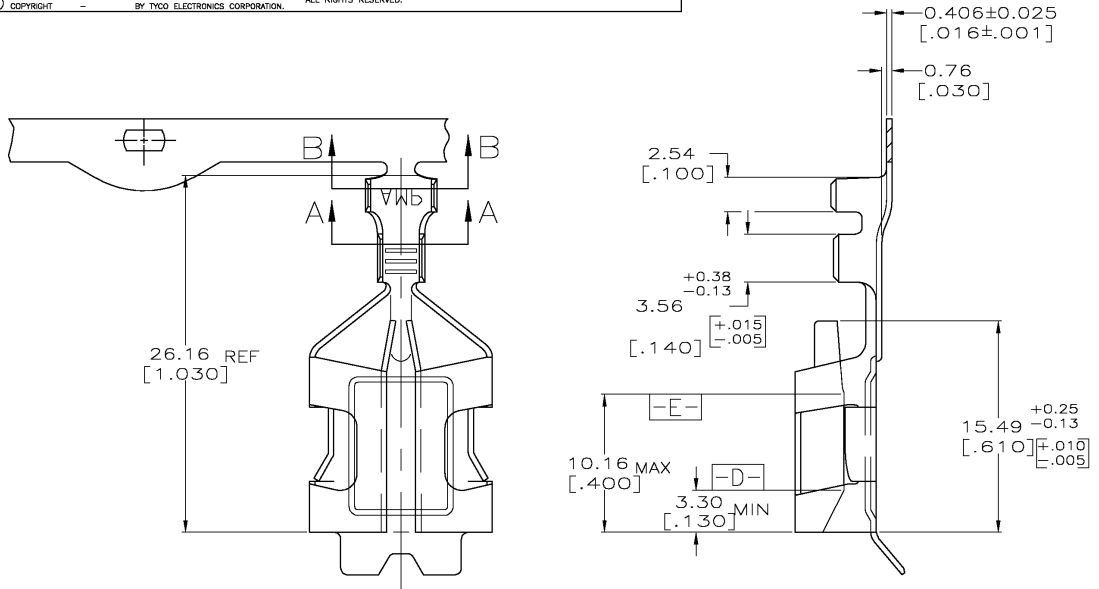
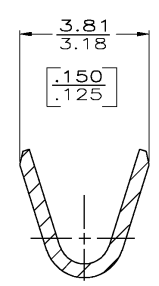
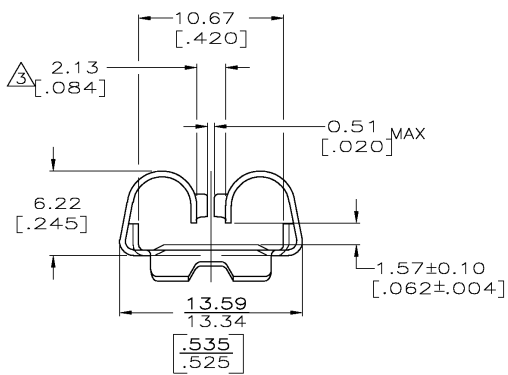


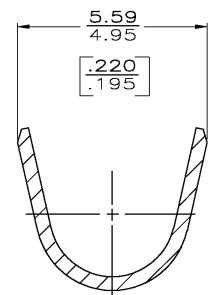
LOC	DISP	REVISIONS			
P	U/R	DESCRIPTION	DATE	DWN	APPD
AF	50				
R		REV PER 0G3A-0133-04	01MAR04	JR	DD



- 1 ACCEPTS TAB OR RING 1.78 - 2.41 [.070 - .095] THK X 7.92 - 9.52 [.312 - .375] WIDE.
- 2 WILL NOT MATE WITH A TAB OR RING GREATER THAN 0.25 [.010] LESS IN THICKNESS THAN ONE PREVIOUSLY USED.
- 3 DIMENSION APPLIES BETWEEN $\boxed{-D-}$ AND $\boxed{-E-}$.
- 4 PRELIMINARY - NOT FOR PRODUCTION.



SECTION A-A
SCALE 10:1



SECTION B-B
SCALE 10:1

REDUCED REEL COUNT	#4 HD COPPER-NICKEL ALLOY	1	3.96 [.156] MAX DIA	0.8 - 2.0mm ² [18-14] AWG	4 640748-6
	TM06 COPPER-NICKEL-SILICON ALLOY				4 640748-4
	#4 HD COPPER-NICKEL ALLOY				640748-1
	MATERIAL	TAB THICKNESS	INSULATION RANGE	WIRE SIZE	

THIS DRAWING IS A CONTROLLED DOCUMENT.		DWN P FORTNEY 2/14/91	 Tyco Electronics Corporation Harrisburg, Pa 17105-3608
DIMENSIONS: INCHES		CHK JR RUTH 2/14/91	
TOLERANCES UNLESS OTHERWISE SPECIFIED:		APD R WEAVER 2/14/91	NAME
0 PLG ± - 1 PLG ± - 2 PLG ± 0.25 [.010] 3 PLG ± - 4 PLG ± - ANGLES ± -		PRODUCT SPEC	RECEPTACLE, HEAVY DUTY BURNER CONNECTOR
MATERIAL SEE TABLE		FINISH -	RESTRICTED TO
		WEIGHT -	SIZE CAGE CODE DRAWING NO A2 00779 640748
		CUSTOMER DRAWING	SCALE 4:1 SHEET 1 OF 1 REV R

640748