

Light is OSRAM

15.01.2020

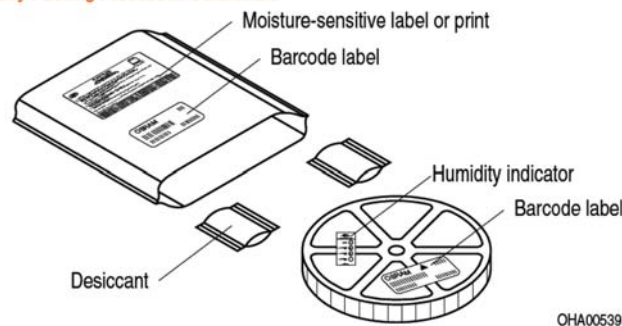
Update 15.04.2020

OS-IN-2020-001 Removal of Inner Transportation Box

Objective	Removal of inner transportation box (“pizza box”)
Products affected	All derivatives from each brand delivered in a Moisture Barrier Bag (MBB) and on spool are affected. Products which are packed in tubes and trays are NOT included in this measure.
Application (brands)	Advanced Power Topled, BIDOS, BIOFY, CERAMOS, CHIPLED, Chip on board, CURAMOS, DIL, DISPLIX, FIREFLY, Micro SIDELED, MIDLED, Mini TOPLED, Multi TOPLED, Multi CHIPLED, MULTILED, OSIRE, OSLON, OSLUX, OSRAM OSTAR, PointLED, Power SIDELED, Power TOPLED, Radial, Reflective Interrupter, SIDELED, Slotted Interrupter, Smart DIL, SMARTLED, SMT Laser, SYNIOS, TOPLED
Background	Removal of inner transportation box deliveries with no impact to the technical specifications of the devices (Please refer to attached customer information package)

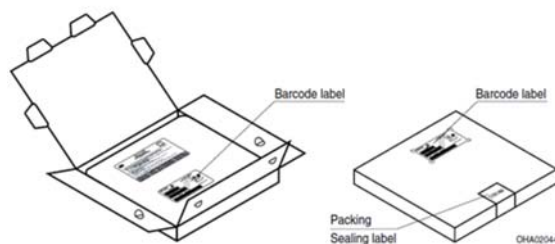
Current Datasheet – Packing

Dry Packing Process and Materials



Moisture-sensitive product is packed in a dry bag containing desiccant and a humidity card according JEDEC-STD-033.

Schematic Transportation Box



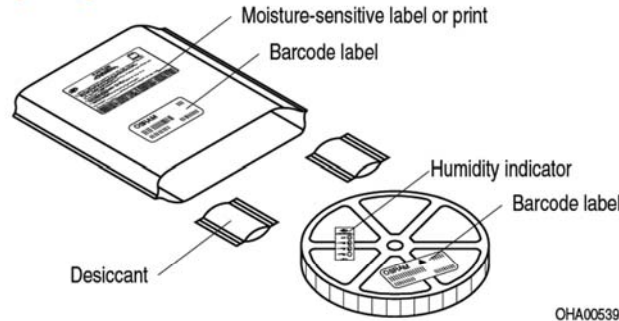
Dimensions of Transportation Box



Realization

New Datasheet – Packing

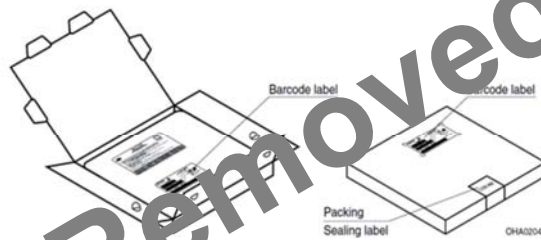
Dry Packing Process and Materials



OHA00539

Moisture-sensitive product is packed in a dry bag containing desiccant and a humidity card according JEDEC-STD-033.

Schematic Transportation Box



OHA02044

Dimensions of Transportation Box

Width Length Height

Transportation box contains the moisture barrier bags directly.

In conjunction with this phase in, there will be some MBB and desiccant design optimization (please refer to customer information package).

Time Schedule

Planned implementation Date: April 2020

Update: planned implementation shifted to September 2020

Assessment

No change in fit, form, function and reliability.

During transition time mixed shipments are possible. Deliveries with inner transportation box and without inner transportation box will be split by separate shipping boxes.

Please direct your inquiry to your local Sales office.

OSRAM Opto Semiconductors GmbH

Head Office:
Leibnizstrasse 4
93055 Regensburg, Germany
Phone +49 941 850-5
Fax +49 941 850-1002
www.osram-os.com





Update 15.04.2020

Info Note - OS-IN-2020-001 Removal of Inner Transportation Box

Customer information package

Info Note OS-IN-2020-001

Removal of Inner Transportation Box



Overview

	Page
1. Background and Time Schedule	03
2. Affected Product Brands	04
3. Changes in Packing	09
4. Benefits	11
5. Handling Instructions	13
6. Reliability Test Results	14

Info Note OS-IN-2020-001

Removal of Inner Transportation Box

Background

Removal of inner transportation box (“pizza box”) deliveries with no impact to the technical specifications of the devices.

Time Schedule

Year	2020											
Month	Jan	Feb	Mar	Apr	May	Jun	Jul	Aug	Sep	Oct	Nov	Dec
Info Note Period	◆ →											
Implementation									◆ →	→	→	→

Notes:

- Products under development will not be delivered in inner transportation boxes
- Datasheets are subject to change
- Due to the corona epidemic (restrictions by local governments) and its effects on the supply chain, the planned implementation is shifted to **September 2020**

Assessment:

No change in fit, form, function and reliability of all products.

Support:

Please direct your inquiry to your local sales office.

Customer Information

Removal of Inner Transportation Box



List of affected product brands

Please note that all derivatives from each brand delivered in a Moisture Barrier Bag (MBB) and on spool are affected!
Products which are packed in tubes and trays are NOT included in this measure!

Brand	Sub Brand	Sub Sub Brand
Advanced Power TOPLED		
Advanced Power TOPLED	Plus	
BIDOS		
BIOFY		
CERAMOS		
CERAMOS	Gen 4	
CERAMOS	Gen 4.H	
CERAMOS	Gen 5	
CHIPLD		
CHIPLD		Ambient Light Sensor
CHIPLD	0402	
CHIPLD	0603	
CHIPLD	0805	

Brand	Sub Brand	Sub Sub Brand
CHIPLD	Lens	
Chip On Board		
CURAMOS	2016	
CURAMOS	3020	
DIL		
DIL	SMT	
DIL	SMT	Ambient Light Sensor
DISPLIX	Black	
DISPLIX	Blackprint	
DISPLIX	E0808	
DISPLIX	E1010	
DISPLIX	Oval	
DISPLIX	P2525	

Customer Information

Removal of Inner Transportation Box



List of affected product brands

Brand	Sub Brand	Sub Sub Brand
DISPLIX	P2828	
DISPLIX	P3333	
FIREFLY		
FIREFLY	0402	
FIREFLY	E1608	
FIREFLY	E2218	
Micro SIDELED		
Micro SIDELED	3010	
Micro SIDELED	2808	
Micro SIDELED	3806	
Micro SIDELED	M4518	
MIDLED		
MIDLED	Mini	
MIDLED	T-MIDLED	
Mini TOPLED		

Brand	Sub Brand	Sub Sub Brand
Multi CHIPLED		
Multi TOPLED		
Multi TOPLED	Reverse Gullwing	
MULTILED		
MULTILED	Black Surface	
OSIRE	E3323	
OSIRE	E3635	
OSIRE	E4633i	
OSIRE	E5515	
OSLON	Black	
OSLON	Black Flat	
OSLON	Black Flat	S
OLSON	Boost	HL
OLSON	Boost	HM
OLSON	Boost	HX

Customer Information

Removal of Inner Transportation Box



List of affected product brands

Brand	Sub Brand	Sub Sub Brand
OSLON	Compact	
OSLON	Compact	CL
OSLON	Compact	CM
OSLON	Compact	PL
OSLON	LX	ECE
OSLON	MX	ECE
OSLON	P1616	Flat
OSLON	Signal	
OSLON	Square	
OSLON	Square	Flat
OSLON	Submount	CL
OSLON	SX	
OSLON	SX	ECE
OSLUX		
OSLUX	S	2.2

Brand	Sub Brand	Sub Sub Brand
OSLUX	S	2.4
OSRAM OSTAR	Compact	
OSRAM OSTAR	Projection	
OSRAM OSTAR	Projection	Compact
OSRAM OSTAR	Projection	Cube
OSRAM OSTAR	Stage	
PointLED		
Power SIDELED		
Power TOPLED		
Power TOPLED	Lens	
Radial	Smart Laser	
Reflective Interrupter		
SIDELED		
Slotted Interrupter		
Smart DIL		

Customer Information

Removal of Inner Transportation Box



List of affected product brands

Brand	Sub Brand	Sub Sub Brand
Smart DIL		Ambient Light Sensor
Smart DIL	Reverse Gullwing	
Smart DIL	Reverse Gullwing	Ambient Light Sensor
SMARTLED		
SMARTLED	0603	
SMARTLED	XR	
SMT Laser		
SYNIOS	E2222	
SYNIOS	E2314	
SYNIOS	E4014	
SYNIOS	P2720	
SYNIOS	P4014	
TOPLED		
TOPLED	Black	
TOPLED	Black	Ambient Light Sensor

Brand	Sub Brand	Sub Sub Brand
TOPLED	Black Surface	
TOPLED	Compact	3528
TOPLED	Compact	4014
TOPLED	Compact	5630
TOPLED	D5140	
TOPLED	E1608	
TOPLED	E3014	
TOPLED	Lens	
TOPLED	Reverse Gullwing	

Please note that OS-IN-2019-031 is not affected by the update.

Customer Information

Removal of Inner Transportation Box

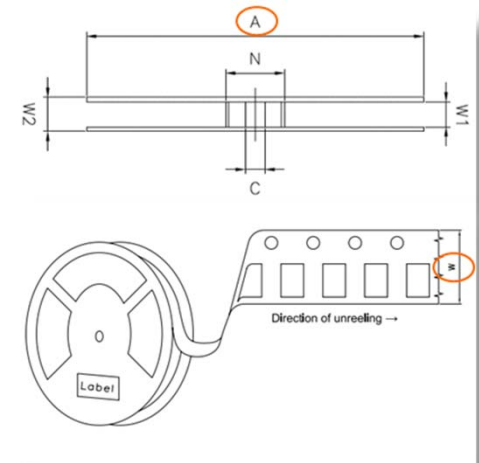


Spool Overview

Notes:

- All spool types with a total width of 8, 12 and 16 mm are affected by inner transportation box free delivery!
- These spools will additionally get a new MBB and desiccant design.
- Subcon products will be delivered in current MBB packing, following MBB size requirements and without inner transportation box!

Spool Dimension	8 mm Width (W)	12 mm Width (W)	16 mm Width (W)
180 mm diameter (A)	Inner transportation box free + Change at MBB and desiccant		
330 mm diameter (A)			




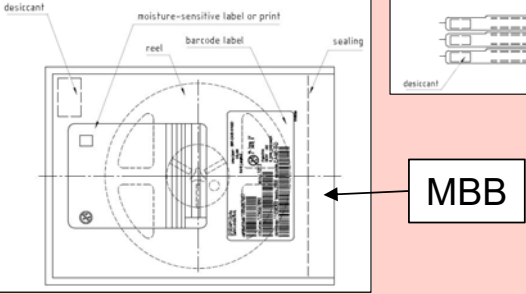


Customer Information

Removal of Inner Transportation Box



Packing Concept – Single Unit

Change Item	Current Status	New Status	Comment
<p>Single Unit Change from inner transportation box to inner transportation box <u>free</u> packing!</p>		  	<ul style="list-style-type: none"> Stacking of MBB is possible because desiccant will be placed at corner to ensure flat surface. Standard and customer specific label can still be found on each single MBB. Consider handling instructions on page 13.

Customer Information

Removal of Inner Transportation Box

Packing Concept – Shipping Unit

- Change from inner transportation box stacking to MBB packing (see example pictures below).
- Design of transportation packing boxes and inlay ensures safe transport from warehouse to customer.
- During transition time mixed shipments are possible. Deliveries with inner transportation box and without inner transportation box will be split by separate shipping boxes!

Reel size categories	Current Status	New Status			
180mm reel		Fully packed (vertically)		Partly packed (vertically)	
330mm reel		Fully packed (horizontally)		Partly packed (horizontally)	

Customer Information

Removal of Inner Transportation Box



Customer benefits for inner transportation box free shipping

Less Effort

- No double effort in unpacking (Transportation Box contains directly the moisture barrier bag).
- Product label is directly on the moisture barrier bag so no relabeling is necessary.

Reduced storage space

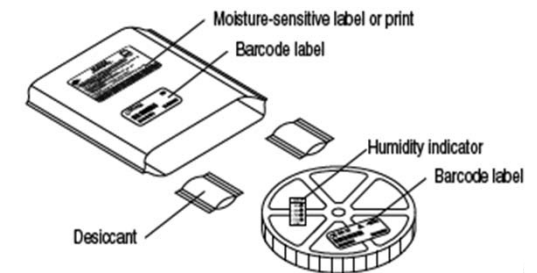
- Due to less packaging volume also less storage space is needed (60% less).

Reduced waste handling

- Less handling of cardboard waste.

Paperless production ready

- Production sites are focusing more and more on technical cleanliness. The absence of particles is essential for this effort. Without the cardboard of the inner transportation box the contamination by particles in SMT production can be significantly reduced.



Customer Information

Removal of Inner Transportation Box



**QUALITY
FIRST**



Energy and CO₂ savings by avoiding inner transportation box

→ No recycled paper or wood, no water and no energy (also avoiding CO₂) needed for inner transportation box manufacturing



CO₂ transportation savings

→ Less freight weight and volume



Waste savings at customer

→ Reduction of disposal efforts
(unpacking, transportation and disposal costs)

Customer Information

Removal of Inner Transportation Box



Handling Instructions for Distributors and Customers

The Moisture Barrier Bags will be sent in shipping boxes with inlets in order to protect the goods against damage during transportation. The transport from OSRAM to distributors and customers is secured by this packing concept.

For handling the goods outside of the transportation box, it has to be ensured that the bags are stored in an adequate condition and are handled with respect to the following handling instructions.

Recommendation:

- Avoid punching the bags with sharp or picky tools.
- Store the bags vertically in a storage bin.
- For horizontal storage reduce the number of bags in one stack or add separators in between in order to remove pressure for the lowermost bags.
- Do not place heavy weight on top of the products when transporting inside a transport container.
- Use filler material to protect the bags when forwarding to end customers.

Customer Information

Removal of Inner Transportation Box



Reliability Test Results

References:

- DIN EN 22 248 (Complete, filled transport packages: vertical impact test by dropping)
- DIN EN 60068-2-64 (Environmental testing: Vibration, broadband random and guidance)

Test sequence:

1. Drop test: 11 drops
2. Vibration test: random, non-operation, z-axis
3. Vibration test: random, non-operation, x-axis
4. Vibration test: random, non-operation, y-axis
5. Visual inspection

Result:

All test samples passed qualification requirements.

Thank you.