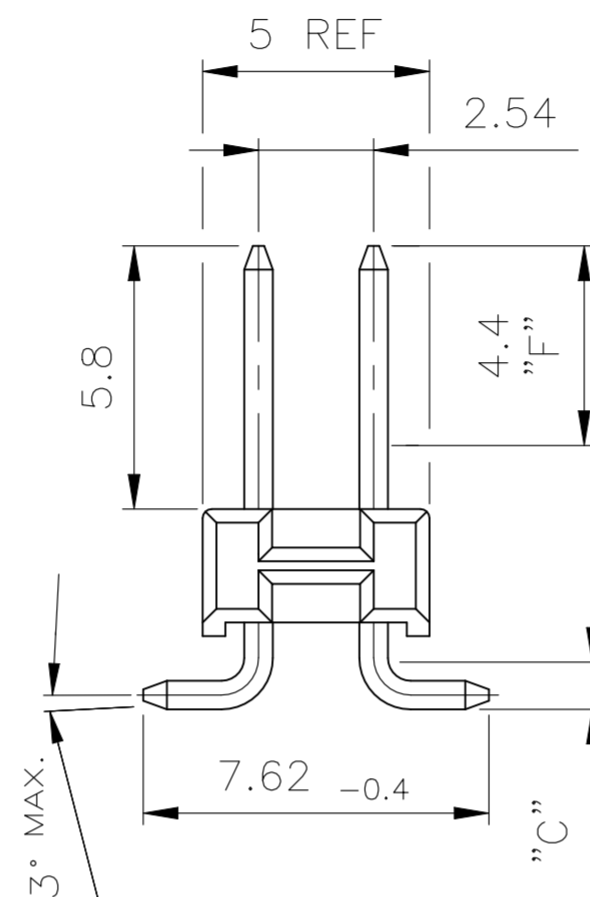
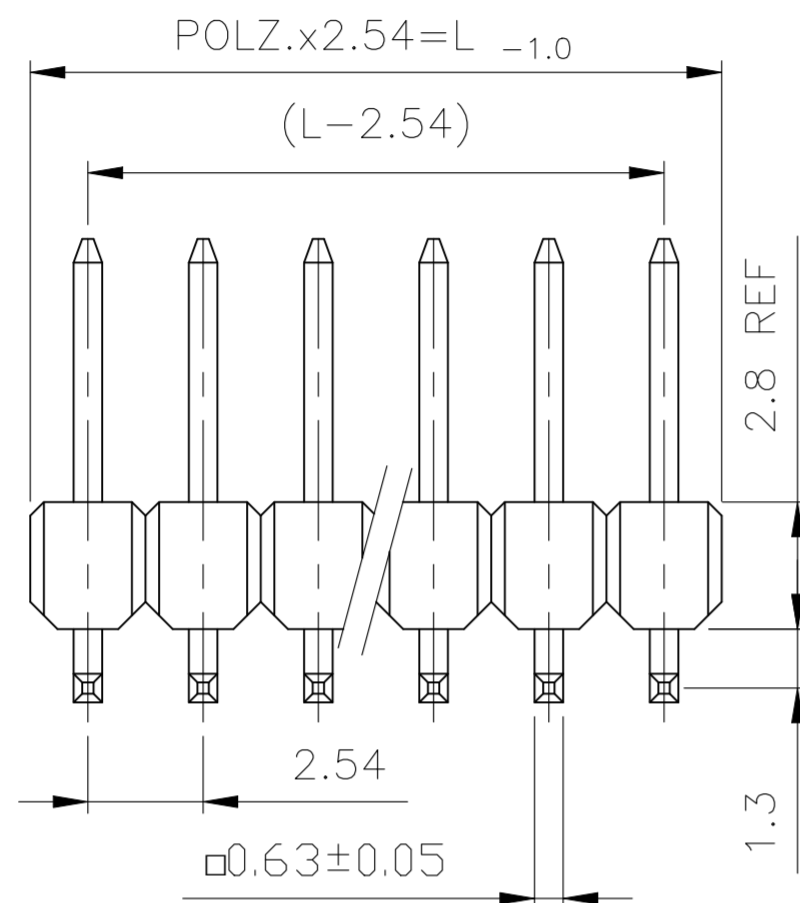
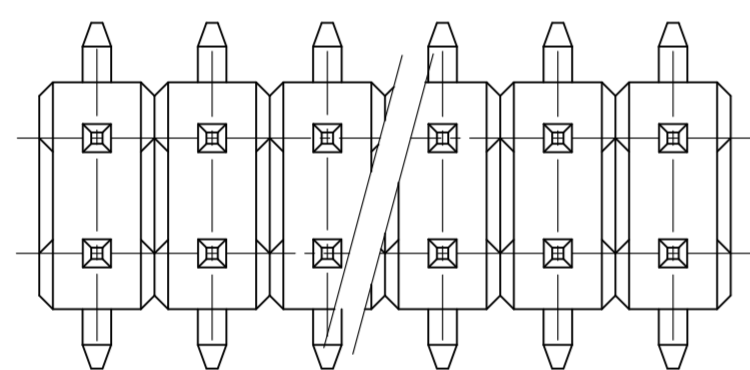
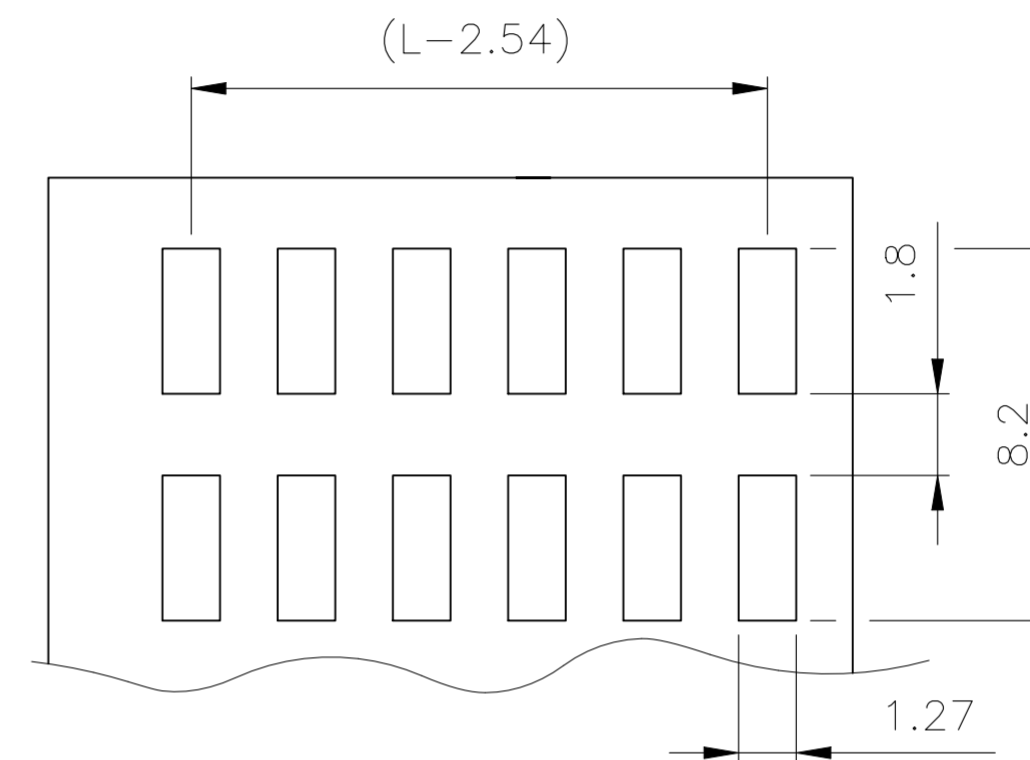


| REVISIONS | | | | | |
|-----------|-----|---|-----------|-----|------|
| P | LTR | DESCRIPTION | DATE | DWN | APVD |
| C | | PLASTIC MATERIAL SUPPLIER CHANGED FOR HOUSING | 17MAY2022 | SCB | PS |

| Pos. | L _{-1,0} |
|------|-------------------|
| 2 | 5,08 |
| 3 | 7,62 |
| 4 | 10,16 |
| 5 | 12,7 |
| 6 | 15,24 |
| 7 | 17,78 |
| 8 | 20,32 |
| 9 | 22,86 |
| 10 | 25,4 |
| 11 | 27,94 |
| 12 | 30,48 |
| 13 | 33,02 |
| 14 | 35,56 |
| 15 | 38,1 |
| 16 | 40,64 |
| 17 | 43,18 |



EMPFOLHENES LEITERPLATTEN LAYOUT
RECOMMENDED PCB-LAYOUT



1 MATING SIDE: WITHIN THE RANGE "F" MIN. 0.7µm PdNi + MIN. 0.1µm GOLD FLASH OVER 1.27µm Ni
SOLDER SIDE: WITHIN THE RANGE "C" MIN. 3.0µm TIN OVER 1.27µm Ni

STECKSEITE: IM BEREICH "F" MIN. 0.7µm PdNi + MIN. 0.1µm GOLD ÜBER 1.27µm Ni
LÖTSEITE: IM BEREICH "C" MIN. 3.0µm ZINN ÜBER 1.27µm Ni

| | | | |
|--|-----------------------|---------------------------------------|-------|
| KONTAKTSTIFT / CONTACT PIN | Cu Zn | 1 | 2 |
| STIFTGEHÄUSE / PIN HOUSING | PCT-GV | SCHWARZ / BLACK | 1 |
| BENENNUNG EINZELTEIL PART DESCRIPTION | WERKSTOFF MATERIAL | OBERFLÄCHE / FARBE SURFACE / COLOR | SI No |

| | | | | | |
|--|--|------------------|-----------|---|-----------|
| THIS DRAWING IS A CONTROLLED DOCUMENT. | | DWN | 16-SEP-98 | F.REICHARDT | |
| DIMENSIONS: | | CHK | 16-SEP-98 | M.SCHAARSCHMIDT | |
| mm | TOLERANCES UNLESS OTHERWISE SPECIFIED: | APVD | - | G.FELDMEIER | |
| | TOL ± 0.2 | PRODUCT SPEC | 108-18012 | AMPMODU II PIN HEADER PACKED IN BLISTER | |
| | 8 PLC ± - | APPLICATION SPEC | - | SIZE | CAGE CODE |
| | 1 PLC ± - | WEIGHT | - | A2 | 00779 |
| | 2 PLC ± - | FINISH | SEE TABLE | DRAWING NO | C=1241050 |
| | 3 PLC ± - | MATERIAL | SEE TABLE | RESTRICTED TO | - |
| | 4 PLC ± - | CUSTOMER DRAWING | SCALE 6:1 | SHEET | 1 OF 3 |
| | ANGLES ± - | | | REV | C |

