

# bq4050 CEDV Gas Gauge and Protection Solution for 1-Series to 4-Series Cell Li-Ion Battery Packs

## 1 Features

- High-Side Protection N-CH FET Drive Enables Serial Bus Communication During Fault Conditions
- Cell Balancing with Internal Bypass Optimizes Battery Health
- Diagnostic Lifetime Data Monitor and Black Box Recorder for Failure Analysis
- Full Array of Programmable Protection Features: Voltage, Current, Temperature
- JEITA Charge Algorithms Support Smart Charging
- Analog Front End with Two Independent ADCs
  - Simultaneous Current and Voltage Sampling
  - High-Accuracy Coulomb Counter with Input Offset Error < 1  $\mu\text{V}$  (Typical)
- Supports Battery Trip Point (BTP) Function for Windows® Integration
- LED Display for State of Charge and Battery Status Indication
- 100-KHz SMBus v1.1 Communications Interface for Programming and Data Access with Alternate 400-KHz Mode
- SHA-1 Authentication Responder for Increased Battery Pack Security
- Compact 32-Pin VQFN Package (RSM)

## 2 Applications

- Notebooks
- Medical and Test Equipment
- Portable Instrumentation
- Cordless Vacuum Cleaners and Vacuum Robots

## 3 Description

The Texas Instruments bq4050 device, incorporating Compensated End-of-Discharge Voltage (CEDV) technology, is a highly integrated, accurate, 1-series to 4-series cell gas gauge and protection solution, enabling autonomous charger control and cell balancing.

The bq4050 device provides a fully integrated pack-based solution with a flash programmable custom reduced instruction-set CPU (RISC), safety protection, and authentication for Li-Ion and Li-Polymer battery packs.

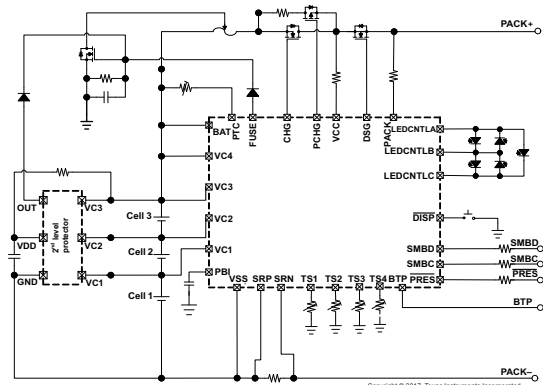
The bq4050 gas gauge communicates via an SMBus-compatible interface and combines an ultra-low power, high-speed TI bqBMP processor, high-accuracy analog measurement capabilities, integrated flash memory, an array of peripheral and communication ports, an N-CH FET drive, and a SHA-1 Authentication transform responder into a complete, high-performance battery management solution.

### Device Information<sup>(1)</sup>

| PART NUMBER | PACKAGE   | BODY SIZE (NOM)   |
|-------------|-----------|-------------------|
| bq4050      | VQFN (32) | 4.00 mm x 4.00 mm |

(1) For all available packages, see the orderable addendum at the end of this data sheet.

### Simplified Schematic



Copyright © 2017, Texas Instruments Incorporated



## Table of Contents

|           |  |           |  |  |  |
|-----------|--|-----------|--|--|--|
| <b>1</b>  | <b>Features</b> .....  | <b>1</b>  |  |  |  |
| <b>2</b>  | <b>Applications</b> .....  | <b>1</b>  |  |  |  |
| <b>3</b>  | <b>Description</b> .....   | <b>1</b>  |  |  |  |
| <b>4</b>  | <b>Revision History</b> .....  | <b>2</b>  |  |  |  |
| <b>5</b>  | <b>Pin Configuration and Functions</b> .....   | <b>3</b>  |  |  |  |
| <b>6</b>  | <b>Specifications</b> .....  | <b>7</b>  |  |  |  |
| 6.1       | Absolute Maximum Ratings .....   | 7         |  |  |  |
| 6.2       | ESD Ratings .....  | 7         |  |  |  |
| 6.3       | Recommended Operating Conditions .....   | 8         |  |  |  |
| 6.4       | Thermal Information .....  | 8         |  |  |  |
| 6.5       | Electrical Characteristics: Supply Current .....                                     | 8         |  |  |  |
| 6.6       | Electrical Characteristics: Power Supply Control .....                               | 9         |  |  |  |
| 6.7       | Electrical Characteristics: AFE Power-On Reset .....                                 | 9         |  |  |  |
| 6.8       | Electrical Characteristics: AFE Watchdog Reset and Wake Timer .....                  | 9         |  |  |  |
| 6.9       | Electrical Characteristics: Current Wake Comparator .....                            | 9         |  |  |  |
| 6.10      | Electrical Characteristics: VC1, VC2, VC3, VC4, BAT, PACK .....                      | 10        |  |  |  |
| 6.11      | Electrical Characteristics: SMBD, SMBC .....   | 10        |  |  |  |
| 6.12      | Electrical Characteristics: PRES, BTP_INT, DISP .....                                | 10        |  |  |  |
| 6.13      | Electrical Characteristics: LEDCNTLA, LEDCNTLB, LEDCNTLC .....                       | 11        |  |  |  |
| 6.14      | Electrical Characteristics: Coulomb Counter .....                                    | 11        |  |  |  |
| 6.15      | Electrical Characteristics: CC Digital Filter .....                                  | 11        |  |  |  |
| 6.16      | Electrical Characteristics: ADC .....  | 12        |  |  |  |
| 6.17      | Electrical Characteristics: ADC Digital Filter .....                                 | 12        |  |  |  |
| 6.18      | Electrical Characteristics: CHG, DSG FET Drive .....                                 | 12        |  |  |  |
| 6.19      | Electrical Characteristics: PCHG FET Drive .....                                     | 13        |  |  |  |
| 6.20      | Electrical Characteristics: FUSE Drive .....   | 13        |  |  |  |
| 6.21      | Electrical Characteristics: Internal Temperature Sensor .....                        | 13        |  |  |  |
| 6.22      | Electrical Characteristics: TS1, TS2, TS3, TS4 .....                                 | 14        |  |  |  |
| 6.23      | Electrical Characteristics: PTC, PTCEN .....   | 14        |  |  |  |
| 6.24      | Electrical Characteristics: Internal 1.8-V LDO .....                                 | 14        |  |  |  |
| 6.25      | Electrical Characteristics: High-Frequency Oscillator .....                          | 14        |  |  |  |
| 6.26      | Electrical Characteristics: Low-Frequency Oscillator .....                           | 15        |  |  |  |
| 6.27      | Electrical Characteristics: Voltage Reference 1 .....                                | 15        |  |  |  |
| 6.28      | Electrical Characteristics: Voltage Reference 2 .....                                | 15        |  |  |  |
| 6.29      | Electrical Characteristics: Instruction Flash .....                                  | 15        |  |  |  |
| 6.30      | Electrical Characteristics: Data Flash .....   | 15        |  |  |  |
| 6.31      | Electrical Characteristics: OCD, SCC, SCD1, SCD2 Current Protection Thresholds ..... | 16        |  |  |  |
| 6.32      | Timing Requirements: OCD, SCC, SCD1, SCD2 Current Protection Timing .....            | 17        |  |  |  |
| 6.33      | Timing Requirements: SMBus .....   | 17        |  |  |  |
| 6.34      | Timing Requirements: SMBus XL .....  | 18        |  |  |  |
| 6.35      | Typical Characteristics .....  | 19        |  |  |  |
| <b>7</b>  | <b>Detailed Description</b> .....  | <b>22</b> |  |  |  |
| 7.1       | Overview .....   | 22        |  |  |  |
| 7.2       | Functional Block Diagram .....   | 22        |  |  |  |
| 7.3       | Feature Description .....  | 23        |  |  |  |
| 7.4       | Device Functional Modes .....  | 26        |  |  |  |
| <b>8</b>  | <b>Applications and Implementation</b> .....   | <b>27</b> |  |  |  |
| 8.1       | Application Information .....  | 27        |  |  |  |
| 8.2       | Typical Applications .....   | 28        |  |  |  |
| <b>9</b>  | <b>Power Supply Recommendations</b> .....  | <b>42</b> |  |  |  |
| <b>10</b> | <b>Layout</b> .....  | <b>42</b> |  |  |  |
| 10.1      | Layout Guidelines .....  | 42        |  |  |  |
| 10.2      | Layout Example .....   | 44        |  |  |  |
| <b>11</b> | <b>Device and Documentation Support</b> .....  | <b>46</b> |  |  |  |
| 11.1      | Documentation Support .....  | 46        |  |  |  |
| 11.2      | Community Resources .....  | 46        |  |  |  |
| 11.3      | Trademarks .....   | 46        |  |  |  |
| 11.4      | Electrostatic Discharge Caution .....  | 46        |  |  |  |
| 11.5      | Glossary .....   | 46        |  |  |  |
| <b>12</b> | <b>Mechanical, Packaging, and Orderable Information</b> .....                        | <b>46</b> |  |  |  |

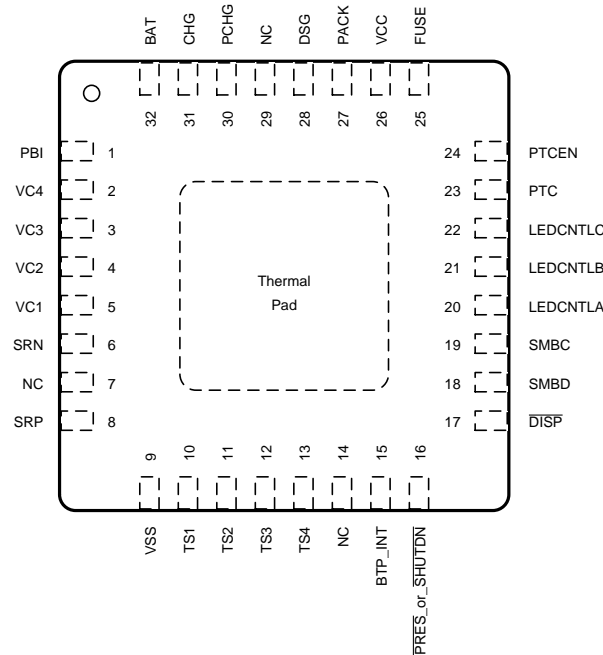
## 4 Revision History

NOTE: Page numbers for previous revisions may differ from page numbers in the current version.

| Changes from Revision A (April 2016) to Revision B | Page |
|--|------|
| • Changed <a href="#">Applications</a> .....       | 1    |

## 5 Pin Configuration and Functions

**RSM Package**  
**32-Pin VQFN with Exposed Thermal Pad**  
**Top View**



**Pin Functions**

| PIN            |        | TYPE             | DESCRIPTION  |
|----------------|--------|------------------|--|
| NAME           | NUMBER |                  |  |
| PBI            | 1      | P <sup>(1)</sup> | Power supply backup input pin  |
| VC4            | 2      | IA               | Sense voltage input pin for the most positive cell, and balance current input for the most positive cell   |
| VC3            | 3      | IA               | Sense voltage input pin for the second most positive cell, balance current input for the second most positive cell, and return balance current for the most positive cell      |
| VC2            | 4      | IA               | Sense voltage input pin for the third most positive cell, balance current input for the third most positive cell, and return balance current for the second most positive cell |
| VC1            | 5      | IA               | Sense voltage input pin for the least positive cell, balance current input for the least positive cell, and return balance current for the third most positive cell            |
| SRN            | 6      | I                | Analog input pin connected to the internal coulomb counter peripheral for integrating a small voltage between SRP and SRN where SRP is the top of the sense resistor.          |
| NC             | 7      | —                | Not internally connected. Connect to V <sub>SS</sub> .   |
| SRP            | 8      | I                | Analog input pin connected to the internal coulomb counter peripheral for integrating a small voltage between SRP and SRN where SRP is the top of the sense resistor.          |
| VSS            | 9      | P                | Device ground  |
| TS1            | 10     | IA               | Temperature sensor 1 thermistor input pin  |
| TS2            | 11     | IA               | Temperature sensor 2 thermistor input pin  |
| TS3            | 12     | IA               | Temperature sensor 3 thermistor input pin  |
| TS4            | 13     | IA               | Temperature sensor 4 thermistor input pin  |
| NC             | 14     | —                | Not internally connected. Connect to V <sub>SS</sub> .   |
| BTP_INT        | 15     | O                | Battery Trip Point (BTP) interrupt output  |
| PRES or SHUTDN | 16     | I                | Host system present input for removable battery pack or emergency system shutdown input for embedded packs   |

(1) P = Power Connection, O = Digital Output, AI = Analog Input, I = Digital Input, I/OD = Digital Input/Output

**Pin Functions (continued)**

| PIN      |        | TYPE | DESCRIPTION  |
|----------|--------|------|--|
| NAME     | NUMBER |      |  |
| DISP     | 17     | —    | Display control for LEDs   |
| SMBD     | 18     | I/OD | SMBus data pin   |
| SMBC     | 19     | I/OD | SMBus clock pin  |
| LEDCNTLA | 20     | —    | LED display segment that drives the external LEDs depending on the firmware configuration                      |
| LEDCNTLB | 21     | —    | LED display segment that drives the external LEDs depending on the firmware configuration                      |
| LEDCNTLC | 22     | —    | LED display segment that drives the external LEDs depending on the firmware configuration                      |
| PTC      | 23     | IA   | Safety PTC thermistor input pin. To disable, connect PTC and PTCEN to V <sub>SS</sub> .                        |
| PTCEN    | 24     | IA   | Safety PTC thermistor enable input pin. Connect to BAT. To disable, connect PTC and PTCEN to V <sub>SS</sub> . |
| FUSE     | 25     | O    | Fuse drive output pin  |
| VCC      | 26     | P    | Secondary power supply input   |
| PACK     | 27     | IA   | Pack sense input pin   |
| DSG      | 28     | O    | NMOS Discharge FET drive output pin  |
| NC       | 29     | —    | Not internally connected. Connect to V <sub>SS</sub> .   |
| PCHG     | 30     | O    | PMOS Precharge FET drive output pin  |
| CHG      | 31     | O    | NMOS Charge FET drive output pin   |
| BAT      | 32     | P    | Primary power supply input pin   |

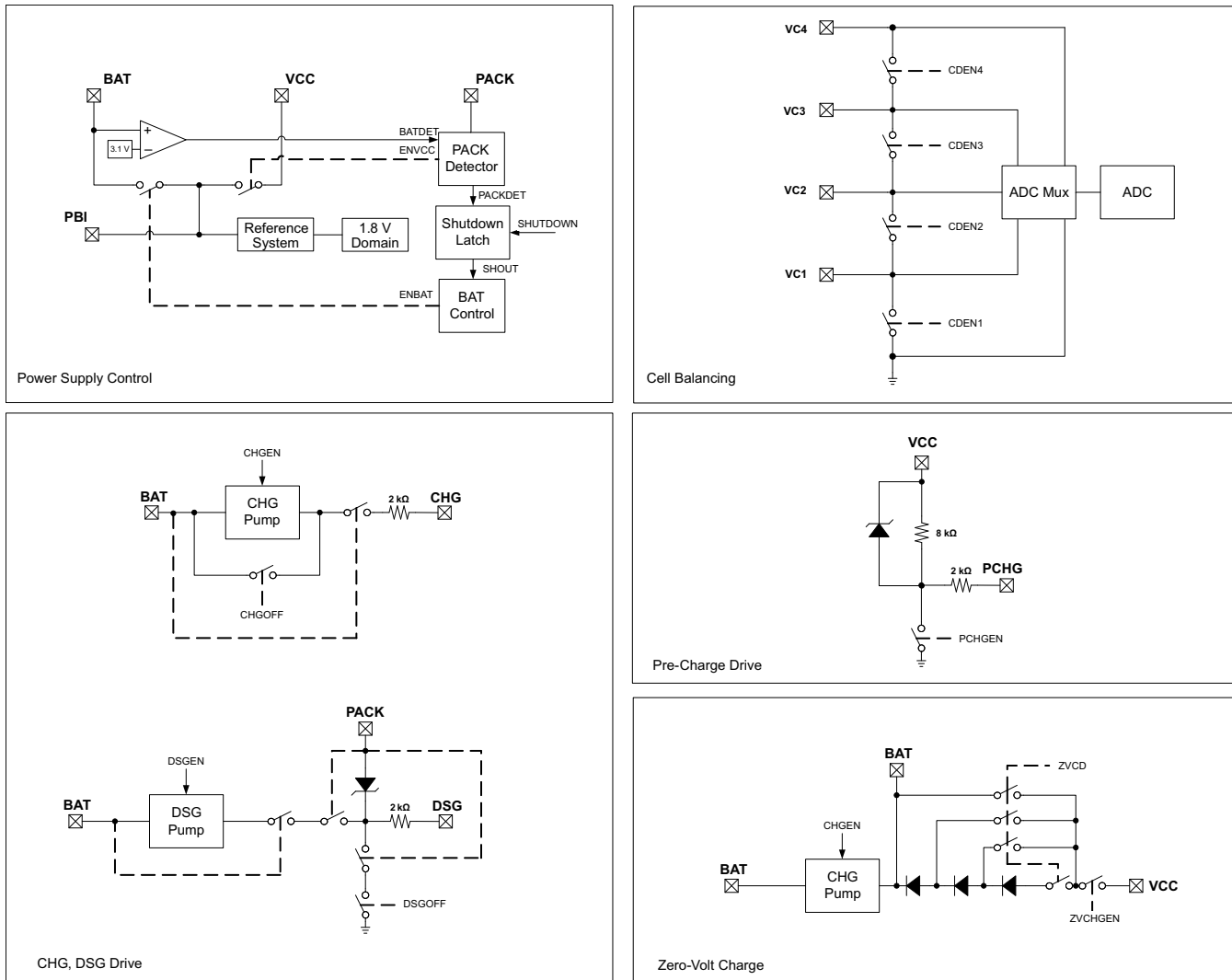


Figure 1. Pin Equivalent Diagram 1

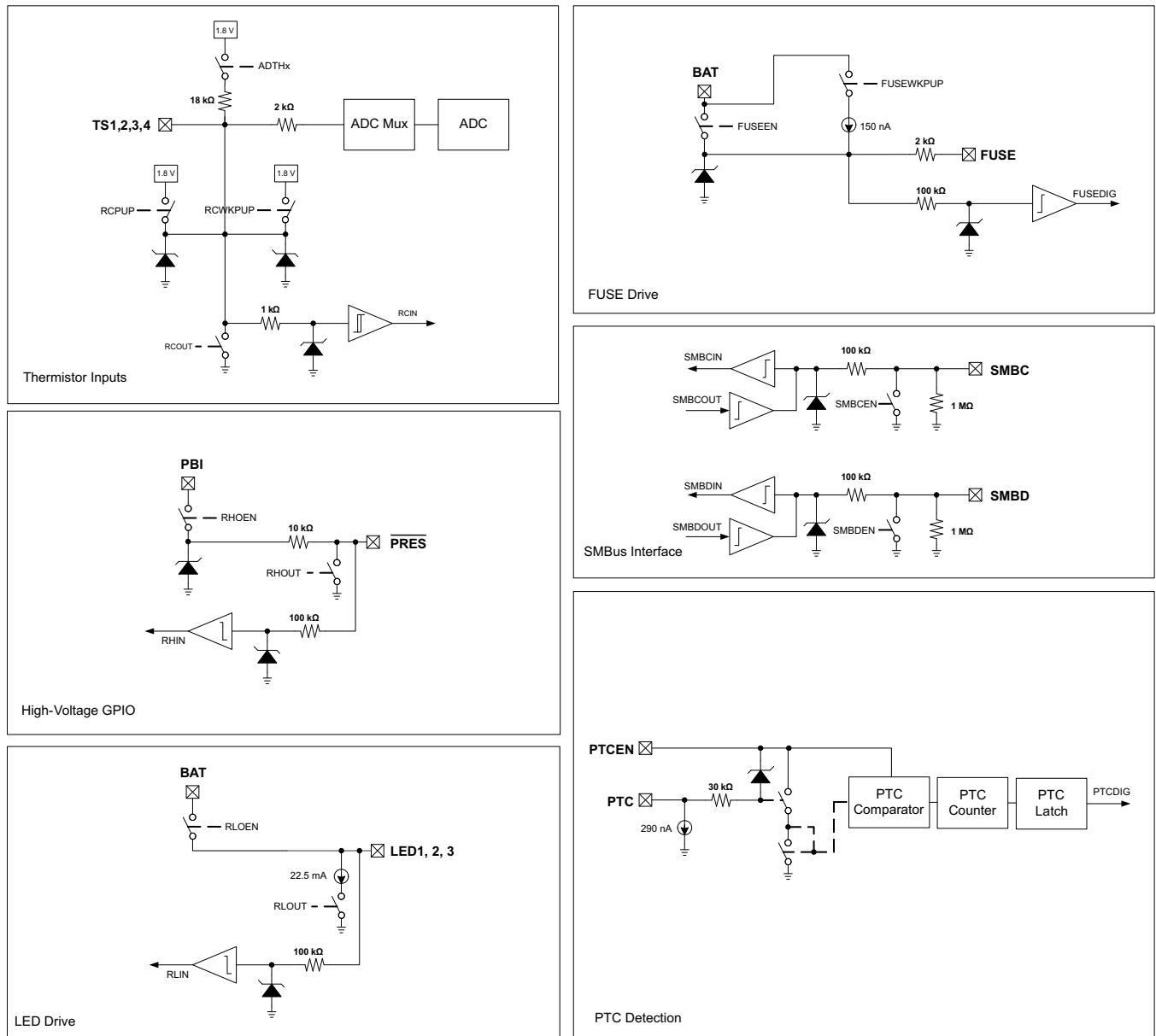


Figure 2. Pin Equivalent Diagram 2

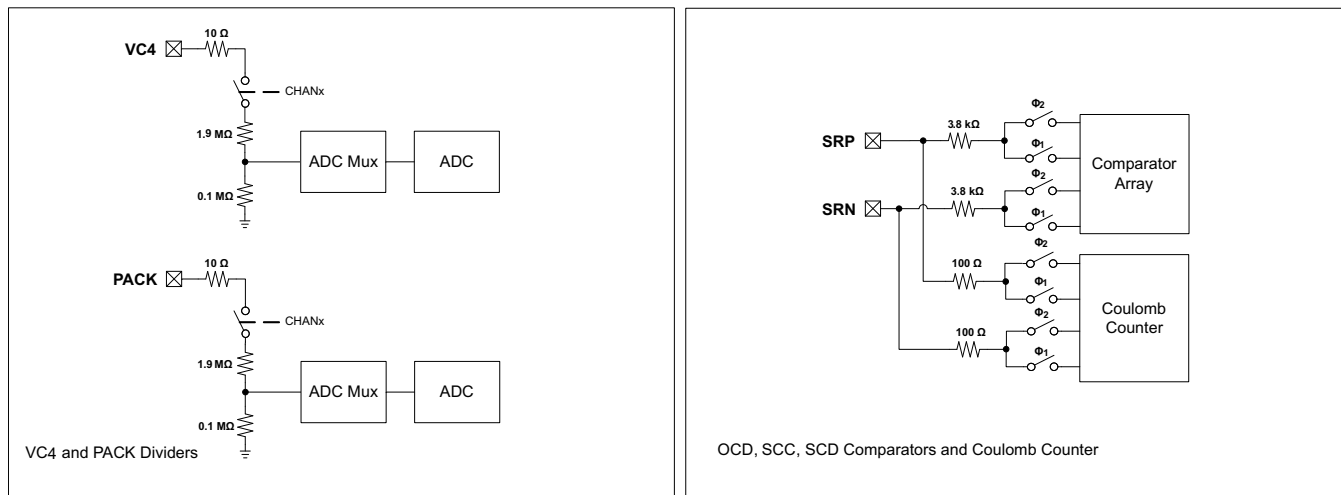


Figure 3. Pin Equivalent Diagram 3

## 6 Specifications

### 6.1 Absolute Maximum Ratings

Over-operating free-air temperature range (unless otherwise noted)<sup>(1)</sup>

|  |   | MIN         | MAX                                  | UNIT |
|--|---|-------------|--------------------------------------|------|
| Supply voltage range, $V_{CC}$                   | BAT, VCC, PBI   | -0.3        | 30                                   | V    |
| Input voltage range, $V_{IN}$                    | PACK, SMBC, SMBD, $\overline{PRES}$ or $\overline{SHUTDN}$ , BTP_INT, $\overline{DISP}$ | -0.3        | 30                                   | V    |
|  | TS1, TS2, TS3, TS4  | -0.3        | $V_{REG} + 0.3$                      | V    |
|  | PTC, PTCEN, LEDCNTLA, LEDCNTLB, LEDCNTLC  | -0.3        | $V_{BAT} + 0.3$                      | V    |
|  | SRP, SRN  | -0.3        | 0.3                                  | V    |
|  | VC4   | $VC3 - 0.3$ | $VC3 + 8.5\text{ V}$ , or $VSS + 30$ | V    |
|  | VC3   | $VC2 - 0.3$ | $VC2 + 8.5\text{ V}$ , or $VSS + 30$ | V    |
| Output voltage range, $V_O$                      | CHG, DSG  | -0.3        | 32                                   |      |
|  | PCHG, FUSE  | -0.3        | 30                                   | V    |
| Maximum VSS current, $I_{SS}$                    |   |             | 50                                   | mA   |
| $T_{STG}$  | Storage temperature   | -65         | 150                                  | °C   |
| Lead temperature (soldering, 10 s), $T_{SOLDER}$ |   |             | 300                                  | °C   |

(1) Stresses beyond those listed under *absolute maximum ratings* may cause permanent damage to the device. These are stress ratings only, and functional operation of the device at these or any other conditions beyond those indicated under *recommended operating conditions* is not implied. Exposure to absolute-maximum-rated conditions for extended periods may affect device reliability.

### 6.2 ESD Ratings

|             |                         | VALUE  | UNIT  |
|-------------|-------------------------|--|-------|
| $V_{(ESD)}$ | Electrostatic discharge | Human-body model (HBM), per ANSI/ESDA/JEDEC JS-001 <sup>(1)</sup>              | ±2000 |
|             |                         | Charged-device model (CDM), per JEDEC specification JESD22-C101 <sup>(2)</sup> | ±500  |

(1) JEDEC document JEP155 states that 500-V HBM allows safe manufacturing with a standard ESD control process.

(2) JEDEC document JEP157 states that 250-V CDM allows safe manufacturing with a standard ESD control process.

### 6.3 Recommended Operating Conditions

Typical values stated where  $T_A = 25^\circ\text{C}$  and  $V_{CC} = 14.4\text{ V}$ , Min/Max values stated where  $T_A = -40^\circ\text{C}$  to  $85^\circ\text{C}$  and  $V_{CC} = 2.2\text{ V}$  to  $26\text{ V}$  (unless otherwise noted)

|                 |                             |   | MIN       | NOM           | MAX           | UNIT             |
|-----------------|-----------------------------|---|-----------|---------------|---------------|------------------|
| $V_{CC}$        | Supply voltage              | BAT, VCC, PBI   | 2.2       |               | 26            | V                |
| $V_{SHUTDOWN-}$ | Shutdown voltage            | $V_{PACK} < V_{SHUTDOWN-}$                                      | 1.8       | 2.0           | 2.2           | V                |
| $V_{SHUTDOWN+}$ | Start-up voltage            | $V_{PACK} > V_{SHUTDOWN-} + V_{HYS}$                            | 2.05      | 2.25          | 2.45          | V                |
| $V_{HYS}$       | Shutdown voltage hysteresis | $V_{SHUTDOWN+} - V_{SHUTDOWN-}$                                 |           | 250           |               | mV               |
| $V_{IN}$        | Input voltage range         | PACK, SMBC, SMBD, $\overline{PRES}$ , BTP_IN, $\overline{DISP}$ |           |               | 26            | V                |
|                 |                             | TS1, TS2, TS3, TS4  |           |               | $V_{REG}$     |                  |
|                 |                             | PTC, PTCEN, LEDCNTLA, LEDCNTLB, LEDCNTLC                        |           |               | $V_{BAT}$     |                  |
|                 |                             | SRP, SRN  | -0.2      |               | 0.2           |                  |
|                 |                             | VC4   | $V_{VC3}$ |               | $V_{VC3} + 5$ |                  |
|                 |                             | VC3   | $V_{VC2}$ |               | $V_{VC2} + 5$ |                  |
|                 |                             | VC2   | $V_{VC1}$ |               | $V_{VC1} + 5$ |                  |
|                 | VC1                         | $V_{VSS}$   |           | $V_{VSS} + 5$ |               |                  |
| $V_O$           | Output voltage range        | CHG, DSG, PCHG, FUSE  |           |               | 26            | V                |
| $C_{PBI}$       | External PBI capacitor      |   | 2.2       |               |               | $\mu\text{F}$    |
| $T_{OPR}$       | Operating temperature       |   | -40       |               | 85            | $^\circ\text{C}$ |

### 6.4 Thermal Information

| THERMAL METRIC <sup>(1)</sup>  |  | bq4050    |  | UNIT                      |
|--------------------------------|--|-----------|--|---------------------------|
|                                |  | RSM (QFN) |  |                           |
|                                |  | 32 PINS   |  |                           |
| $R_{\theta JA, \text{High K}}$ | Junction-to-ambient thermal resistance       | 47.4      |  | $^\circ\text{C}/\text{W}$ |
| $R_{\theta JC(\text{top})}$    | Junction-to-case(top) thermal resistance     | 40.3      |  | $^\circ\text{C}/\text{W}$ |
| $R_{\theta JB}$                | Junction-to-board thermal resistance         | 14.7      |  | $^\circ\text{C}/\text{W}$ |
| $\Psi_{JT}$                    | Junction-to-top characterization parameter   | 0.8       |  | $^\circ\text{C}/\text{W}$ |
| $\Psi_{JB}$                    | Junction-to-board characterization parameter | 14.4      |  | $^\circ\text{C}/\text{W}$ |
| $R_{\theta JC(\text{bottom})}$ | Junction-to-case(bottom) thermal resistance  | 3.8       |  | $^\circ\text{C}/\text{W}$ |

(1) For more information about traditional and new thermal metrics, see the Semiconductor and IC Package Thermal Metrics application report, [SPRA953](#).

### 6.5 Electrical Characteristics: Supply Current

Typical values stated where  $T_A = 25^\circ\text{C}$  and  $V_{CC} = 14.4\text{ V}$ , Min/Max values stated where  $T_A = -40^\circ\text{C}$  to  $85^\circ\text{C}$  and  $V_{CC} = 2.2\text{ V}$  to  $20\text{ V}$  (unless otherwise noted)

| PARAMETER      |               | TEST CONDITIONS                        | MIN | TYP | MAX | UNIT          |
|----------------|---------------|--|-----|-----|-----|---------------|
| $I_{NORMAL}$   | NORMAL mode   | CHG on, DSG on, no Flash write         |     | 336 |     | $\mu\text{A}$ |
| $I_{SLEEP}$    | SLEEP mode    | CHG off, DSG on, no SBS communication  |     | 75  |     | $\mu\text{A}$ |
|                |               | CHG off, DSG off, no SBS communication |     | 52  |     |               |
| $I_{SHUTDOWN}$ | SHUTDOWN mode |  |     | 1.6 |     | $\mu\text{A}$ |



## 6.6 Electrical Characteristics: Power Supply Control

Typical values stated where  $T_A = 25^\circ\text{C}$  and  $V_{CC} = 14.4\text{ V}$ , Min/Max values stated where  $T_A = -40^\circ\text{C}$  to  $85^\circ\text{C}$  and  $V_{CC} = 2.2\text{ V}$  to  $26\text{ V}$  (unless otherwise noted)

| PARAMETER                | TEST CONDITIONS  | MIN  | TYP  | MAX  | UNIT             |
|--------------------------|--|------|------|------|------------------|
| $V_{\text{SWITCHOVER-}}$ | BAT to $V_{CC}$ switchover voltage<br>$V_{\text{BAT}} < V_{\text{SWITCHOVER-}}$                  | 1.95 | 2.1  | 2.2  | V                |
| $V_{\text{SWITCHOVER+}}$ | $V_{CC}$ to BAT switchover voltage<br>$V_{\text{BAT}} > V_{\text{SWITCHOVER-}} + V_{\text{HYS}}$ | 2.9  | 3.1  | 3.25 | V                |
| $V_{\text{HYS}}$         | Switchover voltage hysteresis<br>$V_{\text{SWITCHOVER+}} - V_{\text{SWITCHOVER-}}$               |      | 1000 |      | mV               |
| $I_{\text{LKG}}$         | BAT pin, BAT = 0 V, $V_{CC} = 25\text{ V}$ , PACK = 25 V   |      |      | 1    | $\mu\text{A}$    |
|                          | PACK pin, BAT = 25 V, $V_{CC} = 0\text{ V}$ , PACK = 0 V   |      |      | 1    |                  |
|                          | BAT and PACK terminals, BAT = 0 V, $V_{CC} = 0\text{ V}$ , PACK = 0 V, PBI = 25 V                |      |      | 1    |                  |
| $R_{\text{PD}}$          | Internal pulldown resistance<br>PACK   | 30   | 40   | 50   | $\text{k}\Omega$ |

## 6.7 Electrical Characteristics: AFE Power-On Reset

Typical values stated where  $T_A = 25^\circ\text{C}$  and  $V_{CC} = 14.4\text{ V}$ , Min/Max values stated where  $T_A = -40^\circ\text{C}$  to  $85^\circ\text{C}$  and  $V_{CC} = 2.2\text{ V}$  to  $26\text{ V}$  (unless otherwise noted)

| PARAMETER           | TEST CONDITIONS  | MIN  | TYP  | MAX  | UNIT          |
|---------------------|--|------|------|------|---------------|
| $V_{\text{REGIT-}}$ | Negative-going voltage input<br>$V_{\text{REG}}$                     | 1.51 | 1.55 | 1.59 | V             |
| $V_{\text{HYS}}$    | Power-on reset hysteresis<br>$V_{\text{REGIT+}} - V_{\text{REGIT-}}$ | 70   | 100  | 130  | mV            |
| $t_{\text{RST}}$    | Power-on reset time  | 200  | 300  | 400  | $\mu\text{s}$ |

## 6.8 Electrical Characteristics: AFE Watchdog Reset and Wake Timer

Typical values stated where  $T_A = 25^\circ\text{C}$  and  $V_{CC} = 14.4\text{ V}$ , Min/Max values stated where  $T_A = -40^\circ\text{C}$  to  $85^\circ\text{C}$  and  $V_{CC} = 2.2\text{ V}$  to  $26\text{ V}$  (unless otherwise noted)

| PARAMETER           | TEST CONDITIONS  | MIN  | TYP  | MAX  | UNIT |
|---------------------|--|------|------|------|------|
| $t_{\text{WDT}}$    | AFE watchdog timeout<br>$t_{\text{WDT}} = 500$         | 372  | 500  | 628  | ms   |
|                     | $t_{\text{WDT}} = 1000$                                | 744  | 1000 | 1256 |      |
|                     | $t_{\text{WDT}} = 2000$                                | 1488 | 2000 | 2512 |      |
|                     | $t_{\text{WDT}} = 4000$                                | 2976 | 4000 | 5024 |      |
| $t_{\text{WAKE}}$   | AFE wake timer<br>$t_{\text{WAKE}} = 250$              | 186  | 250  | 314  | ms   |
|                     | $t_{\text{WAKE}} = 500$                                | 372  | 500  | 628  |      |
|                     | $t_{\text{WAKE}} = 1000$                               | 744  | 1000 | 1256 |      |
|                     | $t_{\text{WAKE}} = 512$                                | 1488 | 2000 | 2512 |      |
| $t_{\text{FETOFF}}$ | FET off delay after reset<br>$t_{\text{FETOFF}} = 512$ | 409  | 512  | 614  | ms   |

## 6.9 Electrical Characteristics: Current Wake Comparator

Typical values stated where  $T_A = 25^\circ\text{C}$  and  $V_{CC} = 14.4\text{ V}$ , Min/Max values stated where  $T_A = -40^\circ\text{C}$  to  $85^\circ\text{C}$  and  $V_{CC} = 2.2\text{ V}$  to  $26\text{ V}$  (unless otherwise noted)

| PARAMETER         | TEST CONDITIONS   | MIN       | TYP         | MAX       | UNIT |
|-------------------|---|-----------|-------------|-----------|------|
| $V_{\text{WAKE}}$ | Wake voltage threshold<br>$V_{\text{WAKE}} = \pm 0.625\text{ mV}$ | $\pm 0.3$ | $\pm 0.625$ | $\pm 0.9$ | mV   |
|                   | $V_{\text{WAKE}} = \pm 1.25\text{ mV}$                            | $\pm 0.6$ | $\pm 1.25$  | $\pm 1.8$ |      |
|                   | $V_{\text{WAKE}} = \pm 2.5\text{ mV}$                             | $\pm 1.2$ | $\pm 2.5$   | $\pm 3.6$ |      |
|                   | $V_{\text{WAKE}} = \pm 5\text{ mV}$                               | $\pm 2.4$ | $\pm 5.0$   | $\pm 7.2$ |      |

### Electrical Characteristics: Current Wake Comparator (continued)

Typical values stated where  $T_A = 25^\circ\text{C}$  and  $V_{CC} = 14.4\text{ V}$ , Min/Max values stated where  $T_A = -40^\circ\text{C}$  to  $85^\circ\text{C}$  and  $V_{CC} = 2.2\text{ V}$  to  $26\text{ V}$  (unless otherwise noted)

| PARAMETER                | TEST CONDITIONS                                    | MIN | TYP  | MAX  | UNIT             |
|--------------------------|--|-----|------|------|------------------|
| $V_{\text{WAKE(DRIFT)}}$ | Temperature drift of $V_{\text{WAKE}}$ accuracy    |     | 0.5% |      | $^\circ\text{C}$ |
| $t_{\text{WAKE}}$        | Time from application of current to wake interrupt |     |      | 700  | $\mu\text{s}$    |
| $t_{\text{WAKE(SU)}}$    | Wake comparator startup time                       |     | 500  | 1000 | $\mu\text{s}$    |

### 6.10 Electrical Characteristics: VC1, VC2, VC3, VC4, BAT, PACK

Typical values stated where  $T_A = 25^\circ\text{C}$  and  $V_{CC} = 14.4\text{ V}$ , Min/Max values stated where  $T_A = -40^\circ\text{C}$  to  $85^\circ\text{C}$  and  $V_{CC} = 2.2\text{ V}$  to  $26\text{ V}$  (unless otherwise noted)

| PARAMETER        | TEST CONDITIONS  | MIN  | TYP    | MAX    | UNIT          |               |
|------------------|--|--|--------|--------|---------------|---------------|
| K                | VC1–VSS, VC2–VC1, VC3–VC2, VC4–VC3   | 0.1980   | 0.2000 | 0.2020 | —             |               |
|                  | BAT–VSS, PACK–VSS  | 0.049  | 0.050  | 0.051  |               |               |
|                  | $V_{\text{REF2}}$  | 0.490  | 0.500  | 0.510  |               |               |
| $V_{\text{IN}}$  | VC1–VSS, VC2–VC1, VC3–VC2, VC4–VC3   | –0.2   |        | 5      | V             |               |
|                  | BAT–VSS, PACK–VSS  | –0.2   |        | 20     |               |               |
| $I_{\text{LKG}}$ | VC1, VC2, VC3, VC4, cell balancing off, cell detach detection off, ADC multiplexer off |  |        | 1      | $\mu\text{A}$ |               |
| $R_{\text{CB}}$  | Internal cell balance resistance   | $R_{\text{DS(ON)}}$ for internal FET switch at $2\text{ V} < V_{\text{DS}} < 4\text{ V}$ |        |        | 200           | $\Omega$      |
| $I_{\text{CD}}$  | Internal cell detach check current   | $V_{\text{Cx}} > V_{\text{SS}} + 0.8\text{ V}$   | 30     | 50     | 70            | $\mu\text{A}$ |

### 6.11 Electrical Characteristics: SMBD, SMBC

Typical values stated where  $T_A = 25^\circ\text{C}$  and  $V_{CC} = 14.4\text{ V}$ , Min/Max values stated where  $T_A = -40^\circ\text{C}$  to  $85^\circ\text{C}$  and  $V_{CC} = 2.2\text{ V}$  to  $26\text{ V}$  (unless otherwise noted)

| PARAMETER        | TEST CONDITIONS       | MIN   | TYP | MAX | UNIT             |   |
|------------------|-----------------------|---|-----|-----|------------------|---|
| $V_{\text{IH}}$  | Input voltage high    | SMBC, SMBD, $V_{\text{REG}} = 1.8\text{ V}$                                   |     |     | 1.3              | V |
| $V_{\text{IL}}$  | Input voltage low     | SMBC, SMBD, $V_{\text{REG}} = 1.8\text{ V}$                                   |     |     | 0.8              | V |
| $V_{\text{OL}}$  | Output low voltage    | SMBC, SMBD, $V_{\text{REG}} = 1.8\text{ V}$ , $I_{\text{OL}} = 1.5\text{ mA}$ |     |     | 0.4              | V |
| $C_{\text{IN}}$  | Input capacitance     |   | 5   |     | pF               |   |
| $I_{\text{LKG}}$ | Input leakage current |   |     | 1   | $\mu\text{A}$    |   |
| $R_{\text{PD}}$  | Pulldown resistance   | 0.7   | 1.0 | 1.3 | $\text{M}\Omega$ |   |

### 6.12 Electrical Characteristics: $\overline{\text{PRES}}$ , $\overline{\text{BTP\_INT}}$ , $\overline{\text{DISP}}$

Typical values stated where  $T_A = 25^\circ\text{C}$  and  $V_{CC} = 14.4\text{ V}$ , Min/Max values stated where  $T_A = -40^\circ\text{C}$  to  $85^\circ\text{C}$  and  $V_{CC} = 2.2\text{ V}$  to  $26\text{ V}$  (unless otherwise noted)

| PARAMETER        | TEST CONDITIONS       | MIN  | TYP | MAX | UNIT          |   |
|------------------|-----------------------|--|-----|-----|---------------|---|
| $V_{\text{IH}}$  | High-level input      |  |     |     | 1.3           | V |
| $V_{\text{IL}}$  | Low-level input       |  |     |     | 0.55          | V |
| $V_{\text{OH}}$  | Output voltage high   | $V_{\text{BAT}} > 5.5\text{ V}$ , $I_{\text{OH}} = -0\text{ }\mu\text{A}$  |     |     | 3.5           | V |
|                  |                       | $V_{\text{BAT}} > 5.5\text{ V}$ , $I_{\text{OH}} = -10\text{ }\mu\text{A}$ |     |     | 1.8           |   |
| $V_{\text{OL}}$  | Output voltage low    | $I_{\text{OL}} = 1.5\text{ mA}$  |     |     | 0.4           | V |
| $C_{\text{IN}}$  | Input capacitance     |  | 5   |     | pF            |   |
| $I_{\text{LKG}}$ | Input leakage current |  |     | 1   | $\mu\text{A}$ |   |

**Electrical Characteristics:  $\overline{\text{PRES}}$ ,  $\overline{\text{BTP\_INT}}$ ,  $\overline{\text{DISP}}$  (continued)**

Typical values stated where  $T_A = 25^\circ\text{C}$  and  $V_{CC} = 14.4\text{ V}$ , Min/Max values stated where  $T_A = -40^\circ\text{C}$  to  $85^\circ\text{C}$  and  $V_{CC} = 2.2\text{ V}$  to  $26\text{ V}$  (unless otherwise noted)

| PARAMETER | TEST CONDITIONS   | MIN | TYP | MAX | UNIT       |
|-----------|---|-----|-----|-----|------------|
| $R_O$     | Output reverse resistance<br>Between $\overline{\text{PRES}}$ or $\overline{\text{BTP\_INT}}$ or $\overline{\text{DISP}}$ and PBI | 8   |     |     | k $\Omega$ |

**6.13 Electrical Characteristics: LEDCNTLA, LEDCNTLB, LEDCNTLC**

Typical values stated where  $T_A = 25^\circ\text{C}$  and  $V_{CC} = 14.4\text{ V}$ , Min/Max values stated where  $T_A = -40^\circ\text{C}$  to  $85^\circ\text{C}$  and  $V_{CC} = 2.2\text{ V}$  to  $26\text{ V}$  (unless otherwise noted)

| PARAMETER      | TEST CONDITIONS  | MIN             | TYP       | MAX   | UNIT          |
|----------------|--|-----------------|-----------|-------|---------------|
| $V_{IH}$       | High-level input   | 1.45            |           |       | V             |
| $V_{IL}$       | Low-level input  |                 |           | 0.55  | V             |
| $V_{OH}$       | Output voltage high<br>$V_{BAT} > 3.0\text{ V}$ , $I_{OH} = -22.5\text{ mA}$   | $V_{BAT} - 1.6$ |           |       | V             |
| $V_{OL}$       | Output voltage low<br>$I_{OL} = 1.5\text{ mA}$                                 |                 |           | 0.4   | V             |
| $I_{SC}$       | High level output current protection   | -30             | -45       | -6 0  | mA            |
| $I_{OL}$       | Low level output current<br>$V_{BAT} > 3.0\text{ V}$ , $V_{OH} = 0.4\text{ V}$ | 15.75           | 22.5      | 29.25 | mA            |
| $I_{LEDCNTLx}$ | Current matching between LEDCNTLx<br>$V_{BAT} = V_{LEDCNTLx} + 2.5\text{ V}$   |                 | $\pm 1\%$ |       |               |
| $C_{IN}$       | Input capacitance  |                 | 20        |       | pF            |
| $I_{LKG}$      | Input leakage current  |                 |           | 1     | $\mu\text{A}$ |
| $f_{LEDCNTLx}$ | Frequency of LED pattern   |                 | 124       |       | Hz            |

**6.14 Electrical Characteristics: Coulomb Counter**

Typical values stated where  $T_A = 25^\circ\text{C}$  and  $V_{CC} = 14.4\text{ V}$ , Min/Max values stated where  $T_A = -40^\circ\text{C}$  to  $85^\circ\text{C}$  and  $V_{CC} = 2.2\text{ V}$  to  $26\text{ V}$  (unless otherwise noted)

| PARAMETER                            | TEST CONDITIONS                           | MIN            | TYP         | MAX           | UNIT                         |
|--------------------------------------|---|----------------|-------------|---------------|------------------------------|
| Input voltage range                  |   | -0.1           |             | 0.1           | V                            |
| Full scale range                     |   | $-V_{REF1}/10$ |             | $V_{REF1}/10$ | V                            |
| Integral nonlinearity <sup>(1)</sup> | 16-bit, best fit over input voltage range |                | $\pm 5.2$   | $\pm 22.3$    | LSB                          |
| Offset error                         | 16-bit, Post-calibration                  |                | $\pm 5$     | $\pm 10$      | $\mu\text{V}$                |
| Offset error drift                   | 15-bit + sign, Post-calibration           |                | 0.2         | 0.3           | $\mu\text{V}/^\circ\text{C}$ |
| Gain error                           | 15-bit + sign, over input voltage range   |                | $\pm 0.2\%$ | $\pm 0.8\%$   | FSR                          |
| Gain error drift                     | 15-bit + sign, over input voltage range   |                |             | 150           | PPM/ $^\circ\text{C}$        |
| Effective input resistance           |   | 2.5            |             |               | M $\Omega$                   |

(1)  $1\text{ LSB} = V_{REF1}/(10 \times 2^N) = 1.215/(10 \times 2^{15}) = 3.71\text{ }\mu\text{V}$

**6.15 Electrical Characteristics: CC Digital Filter**

Typical values stated where  $T_A = 25^\circ\text{C}$  and  $V_{CC} = 14.4\text{ V}$ , Min/Max values stated where  $T_A = -40^\circ\text{C}$  to  $85^\circ\text{C}$  and  $V_{CC} = 2.2\text{ V}$  to  $26\text{ V}$  (unless otherwise noted)

| PARAMETER            | TEST CONDITIONS   | MIN | TYP | MAX | UNIT |
|----------------------|-------------------|-----|-----|-----|------|
| Conversion time      | Single conversion |     | 250 |     | ms   |
| Effective resolution | Single conversion | 15  |     |     | Bits |

## 6.16 Electrical Characteristics: ADC

Typical values stated where  $T_A = 25^\circ\text{C}$  and  $V_{CC} = 14.4\text{ V}$ , Min/Max values stated where  $T_A = -40^\circ\text{C}$  to  $85^\circ\text{C}$  and  $V_{CC} = 2.2\text{ V}$  to  $26\text{ V}$  (unless otherwise noted)

| PARAMETER                            | TEST CONDITIONS  | MIN       | TYP         | MAX                  | UNIT                         |
|--------------------------------------|--|-----------|-------------|----------------------|------------------------------|
| Input voltage range                  | Internal reference ( $V_{REF1}$ )                          | -0.2      |             | 1                    | V                            |
|                                      | External reference ( $V_{REG}$ )                           | -0.2      |             | $0.8 \times V_{REG}$ |                              |
| Full scale range                     | $V_{FS} = V_{REF1}$ or $V_{REG}$                           | $-V_{FS}$ |             | $V_{FS}$             | V                            |
| Integral nonlinearity <sup>(1)</sup> | 16-bit, best fit, $-0.1\text{ V}$ to $0.8 \times V_{REF1}$ |           |             | $\pm 6.6$            | LSB                          |
|                                      | 16-bit, best fit, $-0.2\text{ V}$ to $-0.1\text{ V}$       |           |             | $\pm 13.1$           |                              |
| Offset error <sup>(2)</sup>          | 16-bit, Post-calibration, $V_{FS} = V_{REF1}$              |           | $\pm 67$    | $\pm 157$            | $\mu\text{V}$                |
| Offset error drift                   | 16-bit, Post-calibration, $V_{FS} = V_{REF1}$              |           | 0.6         | 3                    | $\mu\text{V}/^\circ\text{C}$ |
| Gain error                           | 16-bit, $-0.1\text{ V}$ to $0.8 \times V_{FS}$             |           | $\pm 0.2\%$ | $\pm 0.8\%$          | FSR                          |
| Gain error drift                     | 16-bit, $-0.1\text{ V}$ to $0.8 \times V_{FS}$             |           |             | 150                  | PPM/ $^\circ\text{C}$        |
| Effective input resistance           |  | 8         |             |                      | $\text{M}\Omega$             |

(1)  $1\text{ LSB} = V_{REF1}/(2^N) = 1.225/(2^{15}) = 37.4\ \mu\text{V}$  (when  $t_{CONV} = 31.25\text{ ms}$ )

(2) For VC1–VSS, VC2–VC1, VC3–VC2, VC4–VC3, VC4–VSS, PACK–VSS, and  $V_{REF1}/2$ , the offset error is multiplied by (1/ADC multiplexer scaling factor (K)).

## 6.17 Electrical Characteristics: ADC Digital Filter

Typical values stated where  $T_A = 25^\circ\text{C}$  and  $V_{CC} = 14.4\text{ V}$ , Min/Max values stated where  $T_A = -40^\circ\text{C}$  to  $85^\circ\text{C}$  and  $V_{CC} = 2.2\text{ V}$  to  $26\text{ V}$  (unless otherwise noted)

| PARAMETER            | TEST CONDITIONS                         | MIN | TYP   | MAX | UNIT |
|----------------------|---|-----|-------|-----|------|
| Conversion time      | Single conversion                       |     | 31.25 |     | ms   |
|                      | Single conversion                       |     | 15.63 |     |      |
|                      | Single conversion                       |     | 7.81  |     |      |
|                      | Single conversion                       |     | 1.95  |     |      |
| Resolution           | No missing codes                        | 16  |       |     | Bits |
| Effective resolution | With sign, $t_{CONV} = 31.25\text{ ms}$ | 14  | 15    |     | Bits |
|                      | With sign, $t_{CONV} = 15.63\text{ ms}$ | 13  | 14    |     |      |
|                      | With sign, $t_{CONV} = 7.81\text{ ms}$  | 11  | 12    |     |      |
|                      | With sign, $t_{CONV} = 1.95\text{ ms}$  | 9   | 10    |     |      |

## 6.18 Electrical Characteristics: CHG, DSG FET Drive

Typical values stated where  $T_A = 25^\circ\text{C}$  and  $V_{CC} = 14.4\text{ V}$ , Min/Max values stated where  $T_A = -40^\circ\text{C}$  to  $85^\circ\text{C}$  and  $V_{CC} = 2.2\text{ V}$  to  $26\text{ V}$  (unless otherwise noted)

| PARAMETER             | TEST CONDITIONS   | MIN   | TYP   | MAX   | UNIT          |
|-----------------------|---|-------|-------|-------|---------------|
| Output voltage ratio  | $\text{Ratio}_{\text{DSG}} = (V_{\text{DSG}} - V_{\text{BAT}})/V_{\text{BAT}}$ , $2.2\text{ V} < V_{\text{BAT}} < 4.92\text{ V}$ , $10\text{ M}\Omega$ between PACK and DSG   | 2.133 | 2.333 | 2.433 | —             |
|                       | $\text{Ratio}_{\text{CHG}} = (V_{\text{CHG}} - V_{\text{BAT}})/V_{\text{BAT}}$ , $2.2\text{ V} < V_{\text{BAT}} < 4.92\text{ V}$ , $10\text{ M}\Omega$ between BAT and CHG  | 2.133 | 2.333 | 2.433 |               |
| $V_{(\text{FETON})}$  | Output voltage, CHG and DSG on<br>$V_{\text{DSG}(\text{ON})} = V_{\text{DSG}} - V_{\text{BAT}}$ , $4.92\text{ V} \leq V_{\text{BAT}} \leq 18\text{ V}$ , $10\text{ M}\Omega$ between PACK and DSG   | 10.5  | 11.5  | 12    | V             |
|                       | $V_{\text{CHG}(\text{ON})} = V_{\text{CHG}} - V_{\text{BAT}}$ , $4.92\text{ V} \leq V_{\text{BAT}} \leq 18\text{ V}$ , $10\text{ M}\Omega$ between BAT and CHG  | 10.5  | 11.5  | 12    |               |
| $V_{(\text{FETOFF})}$ | Output voltage, CHG and DSG off<br>$V_{\text{DSG}(\text{OFF})} = V_{\text{DSG}} - V_{\text{PACK}}$ , $10\text{ M}\Omega$ between PACK and DSG   | -0.4  |       | 0.4   | V             |
|                       | $V_{\text{CHG}(\text{OFF})} = V_{\text{CHG}} - V_{\text{BAT}}$ , $10\text{ M}\Omega$ between BAT and CHG  | -0.4  |       | 0.4   |               |
| $t_R$                 | Rise time<br>$V_{\text{DSG}}$ from 0% to 35% $V_{\text{DSG}(\text{ON})(\text{TYP})}$ , $V_{\text{BAT}} \geq 2.2\text{ V}$ , $C_L = 4.7\text{ nF}$ between DSG and PACK, $5.1\text{ k}\Omega$ between DSG and $C_L$ , $10\text{ M}\Omega$ between PACK and DSG |       | 200   | 500   | $\mu\text{s}$ |
|                       | $V_{\text{CHG}}$ from 0% to 35% $V_{\text{CHG}(\text{ON})(\text{TYP})}$ , $V_{\text{BAT}} \geq 2.2\text{ V}$ , $C_L = 4.7\text{ nF}$ between CHG and BAT, $5.1\text{ k}\Omega$ between CHG and $C_L$ , $10\text{ M}\Omega$ between BAT and CHG                |       | 200   | 500   |               |

## Electrical Characteristics: CHG, DSG FET Drive (continued)

Typical values stated where  $T_A = 25^\circ\text{C}$  and  $V_{CC} = 14.4\text{ V}$ , Min/Max values stated where  $T_A = -40^\circ\text{C}$  to  $85^\circ\text{C}$  and  $V_{CC} = 2.2\text{ V}$  to  $26\text{ V}$  (unless otherwise noted)

| PARAMETER       | TEST CONDITIONS   | MIN | TYP | MAX | UNIT          |
|-----------------|---|-----|-----|-----|---------------|
| $t_F$ Fall time | $V_{DSG}$ from $V_{DSG(ON)(TYP)}$ to $1\text{ V}$ , $V_{BAT} \geq 2.2\text{ V}$ , $C_L = 4.7\text{ nF}$ between DSG and PACK, $5.1\text{ k}\Omega$ between DSG and $C_L$ , $10\text{ M}\Omega$ between PACK and DSG |     | 40  | 300 | $\mu\text{s}$ |
|                 | $V_{CHG}$ from $V_{CHG(ON)(TYP)}$ to $1\text{ V}$ , $V_{BAT} \geq 2.2\text{ V}$ , $C_L = 4.7\text{ nF}$ between CHG and BAT, $5.1\text{ k}\Omega$ between CHG and $C_L$ , $10\text{ M}\Omega$ between BAT and CHG   |     | 40  | 200 |               |

## 6.19 Electrical Characteristics: PCHG FET Drive

Typical values stated where  $T_A = 25^\circ\text{C}$  and  $V_{CC} = 14.4\text{ V}$ , Min/Max values stated where  $T_A = -40^\circ\text{C}$  to  $85^\circ\text{C}$  and  $V_{CC} = 2.2\text{ V}$  to  $26\text{ V}$  (unless otherwise noted)

| PARAMETER                               | TEST CONDITIONS  | MIN  | TYP | MAX | UNIT          |
|---|--|------|-----|-----|---------------|
| $V_{(FETON)}$ Output voltage, PCHG on   | $V_{PCHG(ON)} = V_{V_{CC}} - V_{PCHG}$ , $10\text{ M}\Omega$ between $V_{CC}$ and PCHG   | 6    | 7   | 8   | V             |
| $V_{(FETOFF)}$ Output voltage, PCHG off | $V_{PCHG(OFF)} = V_{V_{CC}} - V_{PCHG}$ , $10\text{ M}\Omega$ between $V_{CC}$ and PCHG  | -0.4 |     | 0.4 | V             |
| $t_R$ Rise time                         | $V_{PCHG}$ from 10% to 90% $V_{PCHG(ON)(TYP)}$ , $V_{V_{CC}} \geq 8\text{ V}$ , $C_L = 4.7\text{ nF}$ between PCHG and $V_{CC}$ , $5.1\text{ k}\Omega$ between PCHG and $C_L$ , $10\text{ M}\Omega$ between $V_{CC}$ and CHG |      | 40  | 200 | $\mu\text{s}$ |
| $t_F$ Fall time                         | $V_{PCHG}$ from 90% to 10% $V_{PCHG(ON)(TYP)}$ , $V_{V_{CC}} \geq 8\text{ V}$ , $C_L = 4.7\text{ nF}$ between PCHG and $V_{CC}$ , $5.1\text{ k}\Omega$ between PCHG and $C_L$ , $10\text{ M}\Omega$ between $V_{CC}$ and CHG |      | 40  | 200 | $\mu\text{s}$ |

## 6.20 Electrical Characteristics: FUSE Drive

Typical values stated where  $T_A = 25^\circ\text{C}$  and  $V_{CC} = 14.4\text{ V}$ , Min/Max values stated where  $T_A = -40^\circ\text{C}$  to  $85^\circ\text{C}$  and  $V_{CC} = 2.2\text{ V}$  to  $26\text{ V}$  (unless otherwise noted)

| PARAMETER                                 | TEST CONDITIONS   | MIN             | TYP | MAX       | UNIT          |
|---|---|-----------------|-----|-----------|---------------|
| $V_{OH}$ Output voltage high              | $V_{BAT} \geq 8\text{ V}$ , $C_L = 1\text{ nF}$ , $I_{AFEFUSE} = 0\text{ }\mu\text{A}$  | 6               | 7   | 8.65      | V             |
|   | $V_{BAT} < 8\text{ V}$ , $C_L = 1\text{ nF}$ , $I_{AFEFUSE} = 0\text{ }\mu\text{A}$     | $V_{BAT} - 0.1$ |     | $V_{BAT}$ |               |
| $V_{IH}$ High-level input                 |   | 1.5             | 2.0 | 2.5       | V             |
| $I_{AFEFUSE(PU)}$ Internal pullup current | $V_{BAT} \geq 8\text{ V}$ , $V_{AFEFUSE} = V_{SS}$                                      |                 | 150 | 330       | nA            |
| $R_{AFEFUSE}$ Output impedance            |   | 2               | 2.6 | 3.2       | k $\Omega$    |
| $C_{IN}$ Input capacitance                |   |                 | 5   |           | pF            |
| $t_{DELAY}$ Fuse trip detection delay     |   | 128             |     | 256       | $\mu\text{s}$ |
| $t_{RISE}$ Fuse output rise time          | $V_{BAT} \geq 8\text{ V}$ , $C_L = 1\text{ nF}$ , $V_{OH} = 0\text{ V}$ to $5\text{ V}$ |                 | 5   | 20        | $\mu\text{s}$ |

## 6.21 Electrical Characteristics: Internal Temperature Sensor

Typical values stated where  $T_A = 25^\circ\text{C}$  and  $V_{CC} = 14.4\text{ V}$ , Min/Max values stated where  $T_A = -40^\circ\text{C}$  to  $85^\circ\text{C}$  and  $V_{CC} = 2.2\text{ V}$  to  $26\text{ V}$  (unless otherwise noted)

| PARAMETER  | TEST CONDITIONS                            | MIN   | TYP   | MAX   | UNIT                 |
|--|--|-------|-------|-------|----------------------|
| $V_{TEMP}$ Internal temperature sensor voltage drift | $V_{TEMP}$                                 | -1.9  | -2.0  | -2.1  | mV/ $^\circ\text{C}$ |
|  | $V_{TEMP} - V_{TEMPN}$ , assured by design | 0.177 | 0.178 | 0.179 |                      |

## 6.22 Electrical Characteristics: TS1, TS2, TS3, TS4

Typical values stated where  $T_A = 25^\circ\text{C}$  and  $V_{CC} = 14.4\text{ V}$ , Min/Max values stated where  $T_A = -40^\circ\text{C}$  to  $85^\circ\text{C}$  and  $V_{CC} = 2.2\text{ V}$  to  $26\text{ V}$  (unless otherwise noted)

| PARAMETER        |                                   | TEST CONDITIONS                           | MIN  | TYP                   | MAX  | UNIT                  |
|------------------|-----------------------------------|---|------|-----------------------|------|-----------------------|
| $V_{IN}$         | Input voltage range               | TS1, TS2, TS3, TS4, $V_{BIAS} = V_{REF1}$ | -0.2 | $0.8 \times V_{REF1}$ |      | V                     |
|                  |                                   | TS1, TS2, TS3, TS4, $V_{BIAS} = V_{REG}$  | -0.2 | $0.8 \times V_{REG}$  |      |                       |
| $R_{NTC(PU)}$    | Internal pullup resistance        | TS1, TS2, TS3, TS4                        | 14.4 | 18                    | 21.6 | k $\Omega$            |
| $R_{NTC(DRIFT)}$ | Resistance drift over temperature | TS1, TS2, TS3, TS4                        | -360 | -280                  | -200 | PPM/ $^\circ\text{C}$ |

## 6.23 Electrical Characteristics: PTC, PTCEN

Typical values stated where  $T_A = 25^\circ\text{C}$  and  $V_{CC} = 14.4\text{ V}$ , Min/Max values stated where  $T_A = -40^\circ\text{C}$  to  $85^\circ\text{C}$  and  $V_{CC} = 2.2\text{ V}$  to  $26\text{ V}$  (unless otherwise noted)

| PARAMETER        |                           | TEST CONDITIONS                                  | MIN | TYP | MAX  | UNIT       |
|------------------|---------------------------|--|-----|-----|------|------------|
| $R_{PTC(TRIP)}$  | PTC trip resistance       |  | 1.2 | 2.5 | 3.95 | M $\Omega$ |
| $V_{PTC(TRIP)}$  | PTC trip voltage          | $V_{PTC(TRIP)} = V_{PTCEN} - V_{PTC}$            | 200 | 500 | 890  | mV         |
| $I_{PTC}$        | Internal PTC current bias | $T_A = -40^\circ\text{C}$ to $110^\circ\text{C}$ | 200 | 290 | 350  | nA         |
| $t_{PTC(Delay)}$ | PTC delay time            | $T_A = -40^\circ\text{C}$ to $110^\circ\text{C}$ | 40  | 80  | 145  | ms         |

## 6.24 Electrical Characteristics: Internal 1.8-V LDO

Typical values stated where  $T_A = 25^\circ\text{C}$  and  $V_{CC} = 14.4\text{ V}$ , Min/Max values stated where  $T_A = -40^\circ\text{C}$  to  $85^\circ\text{C}$  and  $V_{CC} = 2.2\text{ V}$  to  $26\text{ V}$  (unless otherwise noted)

| PARAMETER            |   | TEST CONDITIONS   | MIN   | TYP          | MAX  | UNIT |
|----------------------|---|---|-------|--------------|------|------|
| $V_{REG}$            | Regulator voltage                       |   | 1.6   | 1.8          | 2.0  | V    |
| $\Delta V_{O(TEMP)}$ | Regulator output over temperature       | $\Delta V_{REG}/\Delta T_A$ , $I_{REG} = 10\text{ mA}$  |       | $\pm 0.25\%$ |      |      |
| $\Delta V_{O(LINE)}$ | Line regulation                         | $\Delta V_{REG}/\Delta V_{BAT}$ , $V_{BAT} = 10\text{ mA}$  | -0.6% |              | 0.5% |      |
| $\Delta V_{O(LOAD)}$ | Load regulation                         | $\Delta V_{REG}/\Delta I_{REG}$ , $I_{REG} = 0\text{ mA}$ to $10\text{ mA}$                               | -1.5% |              | 1.5% |      |
| $I_{REG}$            | Regulator output current limit          | $V_{REG} = 0.9 \times V_{REG(NOM)}$ , $V_{IN} > 2.2\text{ V}$   | 20    |              |      | mA   |
| $I_{SC}$             | Regulator short-circuit current limit   | $V_{REG} = 0 \times V_{REG(NOM)}$   | 25    | 40           | 55   | mA   |
| $PSRR_{REG}$         | Power supply rejection ratio            | $\Delta V_{BAT}/\Delta V_{REG}$ , $I_{REG} = 10\text{ mA}$ , $V_{IN} > 2.5\text{ V}$ , $f = 10\text{ Hz}$ |       | 40           |      | dB   |
| $V_{SLEW}$           | Slew rate enhancement voltage threshold | $V_{REG}$   | 1.58  | 1.65         |      | V    |

## 6.25 Electrical Characteristics: High-Frequency Oscillator

Typical values stated where  $T_A = 25^\circ\text{C}$  and  $V_{CC} = 14.4\text{ V}$ , Min/Max values stated where  $T_A = -40^\circ\text{C}$  to  $85^\circ\text{C}$  and  $V_{CC} = 2.2\text{ V}$  to  $26\text{ V}$  (unless otherwise noted)

| PARAMETER      |                     | TEST CONDITIONS  | MIN   | TYP          | MAX  | UNIT          |
|----------------|---------------------|--|-------|--------------|------|---------------|
| $f_{HFO}$      | Operating frequency |  |       | 16.78        |      | MHz           |
| $f_{HFO(ERR)}$ | Frequency error     | $T_A = -20^\circ\text{C}$ to $70^\circ\text{C}$ , includes frequency drift                         | -2.5% | $\pm 0.25\%$ | 2.5% |               |
|                |                     | $T_A = -40^\circ\text{C}$ to $85^\circ\text{C}$ , includes frequency drift                         | -3.5% | $\pm 0.25\%$ | 3.5% |               |
| $t_{HFO(SU)}$  | Start-up time       | $T_A = -20^\circ\text{C}$ to $85^\circ\text{C}$ , oscillator frequency within $\pm 3\%$ of nominal |       |              | 4    | ms            |
|                |                     | oscillator frequency within $\pm 3\%$ of nominal   |       |              | 100  | $\mu\text{s}$ |

## 6.26 Electrical Characteristics: Low-Frequency Oscillator

Typical values stated where  $T_A = 25^\circ\text{C}$  and  $V_{CC} = 14.4\text{ V}$ , Min/Max values stated where  $T_A = -40^\circ\text{C}$  to  $85^\circ\text{C}$  and  $V_{CC} = 2.2\text{ V}$  to  $26\text{ V}$  (unless otherwise noted)

| PARAMETER                                   | TEST CONDITIONS  | MIN   | TYP          | MAX  | UNIT |
|---|--|-------|--------------|------|------|
| $f_{LFO}$ Operating frequency               |  |       | 262.144      |      | kHz  |
| $f_{LFO(ERR)}$ Frequency error              | $T_A = -20^\circ\text{C}$ to $70^\circ\text{C}$ , includes frequency drift | -1.5% | $\pm 0.25\%$ | 1.5% |      |
|   | $T_A = -40^\circ\text{C}$ to $85^\circ\text{C}$ , includes frequency drift | -2.5  | $\pm 0.25$   | 2.5  |      |
| $f_{LFO(FAIL)}$ Failure detection frequency |  | 30    | 80           | 100  | kHz  |

## 6.27 Electrical Characteristics: Voltage Reference 1

Typical values stated where  $T_A = 25^\circ\text{C}$  and  $V_{CC} = 14.4\text{ V}$ , Min/Max values stated where  $T_A = -40^\circ\text{C}$  to  $85^\circ\text{C}$  and  $V_{CC} = 2.2\text{ V}$  to  $26\text{ V}$  (unless otherwise noted)

| PARAMETER  | TEST CONDITIONS  | MIN  | TYP      | MAX  | UNIT                  |
|--|--|------|----------|------|-----------------------|
| $V_{REF1}$ Internal reference voltage              | $T_A = 25^\circ\text{C}$ , after trim                        | 1.21 | 1.215    | 1.22 | V                     |
| $V_{REF1(DRIFT)}$ Internal reference voltage drift | $T_A = 0^\circ\text{C}$ to $60^\circ\text{C}$ , after trim   |      | $\pm 50$ |      | PPM/ $^\circ\text{C}$ |
|  | $T_A = -40^\circ\text{C}$ to $85^\circ\text{C}$ , after trim |      | $\pm 80$ |      |                       |

## 6.28 Electrical Characteristics: Voltage Reference 2

Typical values stated where  $T_A = 25^\circ\text{C}$  and  $V_{CC} = 14.4\text{ V}$ , Min/Max values stated where  $T_A = -40^\circ\text{C}$  to  $85^\circ\text{C}$  and  $V_{CC} = 2.2\text{ V}$  to  $26\text{ V}$  (unless otherwise noted)

| PARAMETER  | TEST CONDITIONS  | MIN  | TYP      | MAX  | UNIT                  |
|--|--|------|----------|------|-----------------------|
| $V_{REF2}$ Internal reference voltage              | $T_A = 25^\circ\text{C}$ , after trim                        | 1.22 | 1.225    | 1.23 | V                     |
| $V_{REF2(DRIFT)}$ Internal reference voltage drift | $T_A = 0^\circ\text{C}$ to $60^\circ\text{C}$ , after trim   |      | $\pm 50$ |      | PPM/ $^\circ\text{C}$ |
|  | $T_A = -40^\circ\text{C}$ to $85^\circ\text{C}$ , after trim |      | $\pm 80$ |      |                       |

## 6.29 Electrical Characteristics: Instruction Flash

Typical values stated where  $T_A = 25^\circ\text{C}$  and  $V_{CC} = 14.4\text{ V}$ , Min/Max values stated where  $T_A = -40^\circ\text{C}$  to  $85^\circ\text{C}$  and  $V_{CC} = 2.2\text{ V}$  to  $26\text{ V}$  (unless otherwise noted)

| PARAMETER                            | TEST CONDITIONS                                 | MIN  | TYP | MAX | UNIT          |
|--------------------------------------|---|------|-----|-----|---------------|
| Data retention                       |   | 10   |     |     | Years         |
| Flash programming write cycles       |   | 1000 |     |     | Cycles        |
| $t_{PROGWORD}$ Word programming time | $T_A = -40^\circ\text{C}$ to $85^\circ\text{C}$ |      |     | 40  | $\mu\text{s}$ |
| $t_{MASSERASE}$ Mass-erase time      | $T_A = -40^\circ\text{C}$ to $85^\circ\text{C}$ |      |     | 40  | ms            |
| $t_{PAGEERASE}$ Page-erase time      | $T_A = -40^\circ\text{C}$ to $85^\circ\text{C}$ |      |     | 40  | ms            |
| $I_{FLASHREAD}$ Flash-read current   | $T_A = -40^\circ\text{C}$ to $85^\circ\text{C}$ |      |     | 2   | mA            |
| $I_{FLASHWRITE}$ Flash-write current | $T_A = -40^\circ\text{C}$ to $85^\circ\text{C}$ |      |     | 5   | mA            |
| $I_{FLASHERASE}$ Flash-erase current | $T_A = -40^\circ\text{C}$ to $85^\circ\text{C}$ |      |     | 15  | mA            |

## 6.30 Electrical Characteristics: Data Flash

Typical values stated where  $T_A = 25^\circ\text{C}$  and  $V_{CC} = 14.4\text{ V}$ , Min/Max values stated where  $T_A = -40^\circ\text{C}$  to  $85^\circ\text{C}$  and  $V_{CC} = 2.2\text{ V}$  to  $26\text{ V}$  (unless otherwise noted)

| PARAMETER                            | TEST CONDITIONS                                 | MIN   | TYP | MAX | UNIT          |
|--------------------------------------|---|-------|-----|-----|---------------|
| Data retention                       |   | 10    |     |     | Years         |
| Flash programming write cycles       |   | 20000 |     |     | Cycles        |
| $t_{PROGWORD}$ Word programming time | $T_A = -40^\circ\text{C}$ to $85^\circ\text{C}$ |       |     | 40  | $\mu\text{s}$ |

## Electrical Characteristics: Data Flash (continued)

Typical values stated where  $T_A = 25^\circ\text{C}$  and  $V_{CC} = 14.4\text{ V}$ , Min/Max values stated where  $T_A = -40^\circ\text{C}$  to  $85^\circ\text{C}$  and  $V_{CC} = 2.2\text{ V}$  to  $26\text{ V}$  (unless otherwise noted)

| PARAMETER               | TEST CONDITIONS  | MIN | TYP | MAX | UNIT |
|-------------------------|--|-----|-----|-----|------|
| $t_{\text{MASSERASE}}$  | Mass-erase time<br>$T_A = -40^\circ\text{C}$ to $85^\circ\text{C}$     |     |     | 40  | ms   |
| $t_{\text{PAGEERASE}}$  | Page-erase time<br>$T_A = -40^\circ\text{C}$ to $85^\circ\text{C}$     |     |     | 40  | ms   |
| $I_{\text{FLASHREAD}}$  | Flash-read current<br>$T_A = -40^\circ\text{C}$ to $85^\circ\text{C}$  |     |     | 1   | mA   |
| $I_{\text{FLASHWRITE}}$ | Flash-write current<br>$T_A = -40^\circ\text{C}$ to $85^\circ\text{C}$ |     |     | 5   | mA   |
| $I_{\text{FLASHERASE}}$ | Flash-erase current<br>$T_A = -40^\circ\text{C}$ to $85^\circ\text{C}$ |     |     | 15  | mA   |

## 6.31 Electrical Characteristics: OCD, SCC, SCD1, SCD2 Current Protection Thresholds

Typical values stated where  $T_A = 25^\circ\text{C}$  and  $V_{CC} = 14.4\text{ V}$ , Min/Max values stated where  $T_A = -40^\circ\text{C}$  to  $85^\circ\text{C}$  and  $V_{CC} = 2.2\text{ V}$  to  $26\text{ V}$  (unless otherwise noted)

| PARAMETER                | TEST CONDITIONS   | MIN   | TYP   | MAX  | UNIT |
|--------------------------|---|-------|-------|------|------|
| $V_{\text{OCD}}$         | OCD detection threshold voltage range<br>$V_{\text{OCD}} = V_{\text{SRP}} - V_{\text{SRN}}$ , AFE PROTECTION CONTROL[RSNS] = 1          | -16.6 |       | -100 | mV   |
|                          | $V_{\text{OCD}} = V_{\text{SRP}} - V_{\text{SRN}}$ , AFE PROTECTION CONTROL[RSNS] = 0   | -8.3  |       | -50  |      |
| $\Delta V_{\text{OCD}}$  | OCD detection threshold voltage program step<br>$V_{\text{OCD}} = V_{\text{SRP}} - V_{\text{SRN}}$ , AFE PROTECTION CONTROL[RSNS] = 1   |       | -5.56 |      | mV   |
|                          | $V_{\text{OCD}} = V_{\text{SRP}} - V_{\text{SRN}}$ , AFE PROTECTION CONTROL[RSNS] = 0   |       | -2.78 |      |      |
| $V_{\text{SCC}}$         | SCC detection threshold voltage range<br>$V_{\text{SCC}} = V_{\text{SRP}} - V_{\text{SRN}}$ , AFE PROTECTION CONTROL[RSNS] = 1          | 44.4  |       | 200  | mV   |
|                          | $V_{\text{SCC}} = V_{\text{SRP}} - V_{\text{SRN}}$ , AFE PROTECTION CONTROL[RSNS] = 0   | 22.2  |       | 100  |      |
| $\Delta V_{\text{SCC}}$  | SCC detection threshold voltage program step<br>$V_{\text{SCC}} = V_{\text{SRP}} - V_{\text{SRN}}$ , AFE PROTECTION CONTROL[RSNS] = 1   |       | 22.2  |      | mV   |
|                          | $V_{\text{SCC}} = V_{\text{SRP}} - V_{\text{SRN}}$ , AFE PROTECTION CONTROL[RSNS] = 0   |       | 11.1  |      |      |
| $V_{\text{SCD1}}$        | SCD1 detection threshold voltage range<br>$V_{\text{SCD1}} = V_{\text{SRP}} - V_{\text{SRN}}$ , AFE PROTECTION CONTROL[RSNS] = 1        | -44.4 |       | -200 | mV   |
|                          | $V_{\text{SCD1}} = V_{\text{SRP}} - V_{\text{SRN}}$ , AFE PROTECTION CONTROL[RSNS] = 0  | -22.2 |       | -100 |      |
| $\Delta V_{\text{SCD1}}$ | SCD1 detection threshold voltage program step<br>$V_{\text{SCD1}} = V_{\text{SRP}} - V_{\text{SRN}}$ , AFE PROTECTION CONTROL[RSNS] = 1 |       | -22.2 |      | mV   |
|                          | $V_{\text{SCD1}} = V_{\text{SRP}} - V_{\text{SRN}}$ , AFE PROTECTION CONTROL[RSNS] = 0  |       | -11.1 |      |      |
| $V_{\text{SCD2}}$        | SCD2 detection threshold voltage range<br>$V_{\text{SCD2}} = V_{\text{SRP}} - V_{\text{SRN}}$ , AFE PROTECTION CONTROL[RSNS] = 1        | -44.4 |       | -200 | mV   |
|                          | $V_{\text{SCD2}} = V_{\text{SRP}} - V_{\text{SRN}}$ , AFE PROTECTION CONTROL[RSNS] = 0  | -22.2 |       | -100 |      |
| $\Delta V_{\text{SCD2}}$ | SCD2 detection threshold voltage program step<br>$V_{\text{SCD2}} = V_{\text{SRP}} - V_{\text{SRN}}$ , AFE PROTECTION CONTROL[RSNS] = 1 |       | -22.2 |      | mV   |
|                          | $V_{\text{SCD2}} = V_{\text{SRP}} - V_{\text{SRN}}$ , AFE PROTECTION CONTROL[RSNS] = 0  |       | -11.1 |      |      |
| $V_{\text{OFFSET}}$      | OCD, SCC, and SCDx offset error<br>Post-trim  | -2.5  |       | 2.5  | mV   |
| $V_{\text{SCALE}}$       | OCD, SCC, and SCDx scale error<br>No trim   | -10%  |       | 10%  |      |
|                          | Post-trim   | -5%   |       | 5%   |      |



### 6.32 Timing Requirements: OCD, SCC, SCD1, SCD2 Current Protection Timing

Typical values stated where  $T_A = 25^\circ\text{C}$  and  $V_{CC} = 14.4\text{ V}$ , Min/Max values stated where  $T_A = -40^\circ\text{C}$  to  $85^\circ\text{C}$  and  $V_{CC} = 2.2\text{ V}$  to  $26\text{ V}$  (unless otherwise noted)

|                          |  |  | MIN  | NOM  | MAX  | UNIT          |
|--------------------------|--|--|------|------|------|---------------|
| $t_{\text{OCD}}$         | OCD detection delay time               |  | 1    |      | 31   | ms            |
| $\Delta t_{\text{OCD}}$  | OCD detection delay time program step  |  |      | 2    |      | ms            |
| $t_{\text{SCC}}$         | SCC detection delay time               |  | 0    |      | 915  | $\mu\text{s}$ |
| $\Delta t_{\text{SCC}}$  | SCC detection delay time program step  |  |      | 61   |      | $\mu\text{s}$ |
| $t_{\text{SCD1}}$        | SCD1 detection delay time              | AFE PROTECTION CONTROL[SCDDx2] = 0   | 0    |      | 915  | $\mu\text{s}$ |
|                          |  | AFE PROTECTION CONTROL[SCDDx2] = 1   | 0    |      | 1850 |               |
| $\Delta t_{\text{SCD1}}$ | SCD1 detection delay time program step | AFE PROTECTION CONTROL[SCDDx2] = 0   |      | 61   |      | $\mu\text{s}$ |
|                          |  | AFE PROTECTION CONTROL[SCDDx2] = 1   |      | 121  |      |               |
| $t_{\text{SCD2}}$        | SCD2 detection delay time              | AFE PROTECTION CONTROL[SCDDx2] = 0   | 0    |      | 458  | $\mu\text{s}$ |
|                          |  | AFE PROTECTION CONTROL[SCDDx2] = 1   | 0    |      | 915  |               |
| $\Delta t_{\text{SCD2}}$ | SCD2 detection delay time program step | AFE PROTECTION CONTROL[SCDDx2] = 0   |      | 30.5 |      | $\mu\text{s}$ |
|                          |  | AFE PROTECTION CONTROL[SCDDx2] = 1   |      | 61   |      |               |
| $t_{\text{DETECT}}$      | Current fault detect time              | $V_{\text{SRP}} - V_{\text{SRN}} = V_T - 3\text{ mV}$ for OCD, SCD1, and SC2,<br>$V_{\text{SRP}} - V_{\text{SRN}} = V_T + 3\text{ mV}$ for SCC |      |      | 160  | $\mu\text{s}$ |
| $t_{\text{ACC}}$         | Current fault delay time accuracy      | Max delay setting  | -10% |      | 10%  |               |

### 6.33 Timing Requirements: SMBus

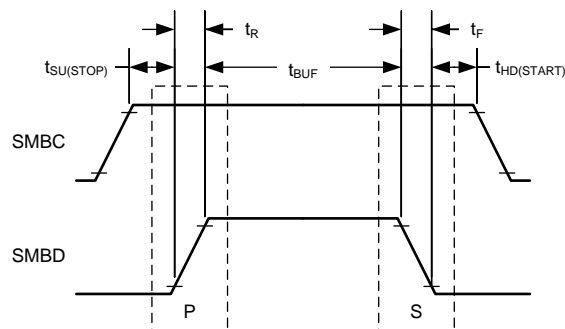
Typical values stated where  $T_A = 25^\circ\text{C}$  and  $V_{CC} = 14.4\text{ V}$ , Min/Max values stated where  $T_A = -40^\circ\text{C}$  to  $85^\circ\text{C}$  and  $V_{CC} = 2.2\text{ V}$  to  $26\text{ V}$  (unless otherwise noted)

|                        |   |  | MIN | NOM  | MAX  | UNIT          |
|------------------------|---|--|-----|------|------|---------------|
| $f_{\text{SMB}}$       | SMBus operating frequency               | SLAVE mode, SMBC 50% duty cycle        | 10  |      | 100  | kHz           |
| $f_{\text{MAS}}$       | SMBus master clock frequency            | MASTER mode, no clock low slave extend |     | 51.2 |      | kHz           |
| $t_{\text{BUF}}$       | Bus free time between start and stop    |  | 4.7 |      |      | $\mu\text{s}$ |
| $t_{\text{HD(START)}}$ | Hold time after (repeated) start        |  | 4.0 |      |      | $\mu\text{s}$ |
| $t_{\text{SU(START)}}$ | Repeated start setup time               |  | 4.7 |      |      | $\mu\text{s}$ |
| $t_{\text{SU(STOP)}}$  | Stop setup time                         |  | 4.0 |      |      | $\mu\text{s}$ |
| $t_{\text{HD(DATA)}}$  | Data hold time                          |  | 300 |      |      | ns            |
| $t_{\text{SU(DATA)}}$  | Data setup time                         |  | 250 |      |      | ns            |
| $t_{\text{TIMEOUT}}$   | Error signal detect time                |  | 25  |      | 35   | ms            |
| $t_{\text{LOW}}$       | Clock low period                        |  | 4.7 |      |      | $\mu\text{s}$ |
| $t_{\text{HIGH}}$      | Clock high period                       |  | 4.0 |      | 50   | $\mu\text{s}$ |
| $t_{\text{R}}$         | Clock rise time                         | 10% to 90%                             |     |      | 1000 | ns            |
| $t_{\text{F}}$         | Clock fall time                         | 90% to 10%                             |     |      | 300  | ns            |
| $t_{\text{LOW(SEXT)}}$ | Cumulative clock low slave extend time  |  |     |      | 25   | ms            |
| $t_{\text{LOW(MEXT)}}$ | Cumulative clock low master extend time |  |     |      | 10   | ms            |

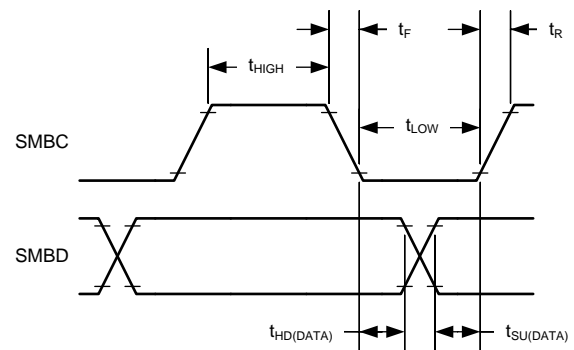
### 6.34 Timing Requirements: SMBus XL

Typical values stated where  $T_A = 25^\circ\text{C}$  and  $V_{CC} = 14.4\text{ V}$ , Min/Max values stated where  $T_A = -40^\circ\text{C}$  to  $85^\circ\text{C}$  and  $V_{CC} = 2.2\text{ V}$  to  $26\text{ V}$  (unless otherwise noted)

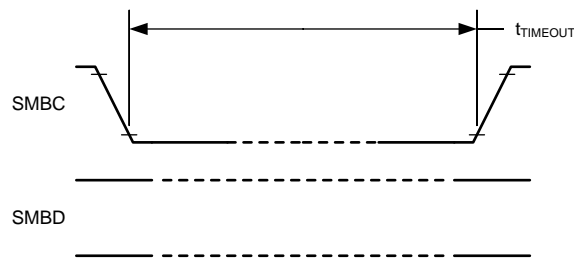
|                        |                                      |            | MIN | NOM | MAX | UNIT          |
|------------------------|--------------------------------------|------------|-----|-----|-----|---------------|
| $f_{\text{SMBXL}}$     | SMBus XL operating frequency         | SLAVE mode | 40  |     | 400 | kHz           |
| $t_{\text{BUF}}$       | Bus free time between start and stop |            | 4.7 |     |     | $\mu\text{s}$ |
| $t_{\text{HD(START)}}$ | Hold time after (repeated) start     |            | 4.0 |     |     | $\mu\text{s}$ |
| $t_{\text{SU(START)}}$ | Repeated start setup time            |            | 4.7 |     |     | $\mu\text{s}$ |
| $t_{\text{SU(STOP)}}$  | Stop setup time                      |            | 4.0 |     |     | $\mu\text{s}$ |
| $t_{\text{TIMEOUT}}$   | Error signal detect time             |            | 5   |     | 20  | ms            |
| $t_{\text{LOW}}$       | Clock low period                     |            |     |     | 20  | $\mu\text{s}$ |
| $t_{\text{HIGH}}$      | Clock high period                    |            |     |     | 20  | $\mu\text{s}$ |



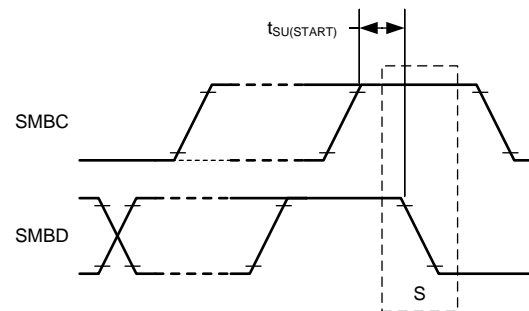
**Start and Stop Condition**



**Wait and Hold Condition**



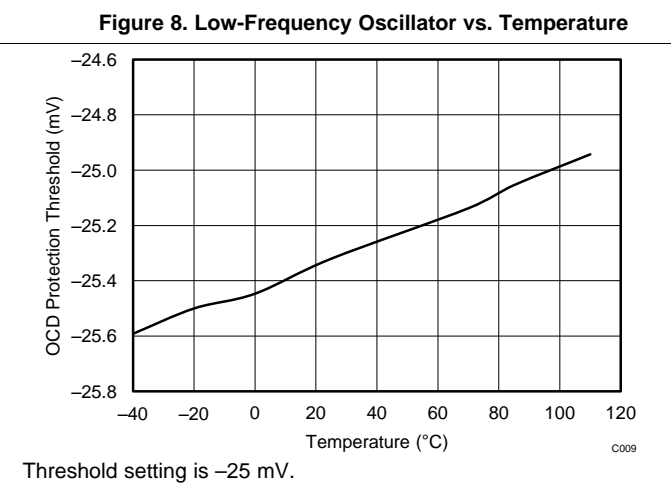
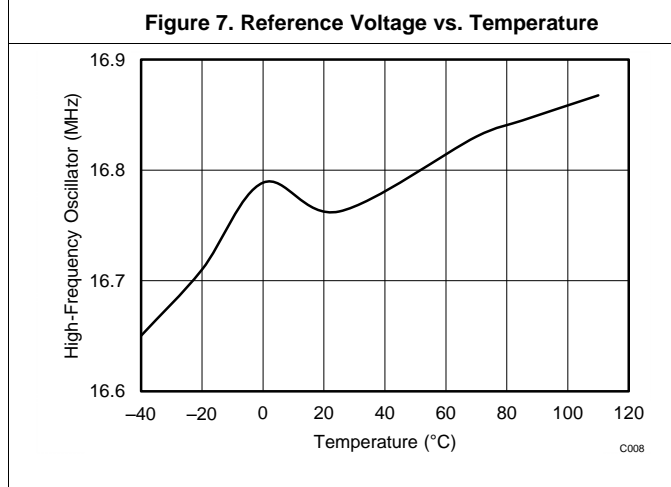
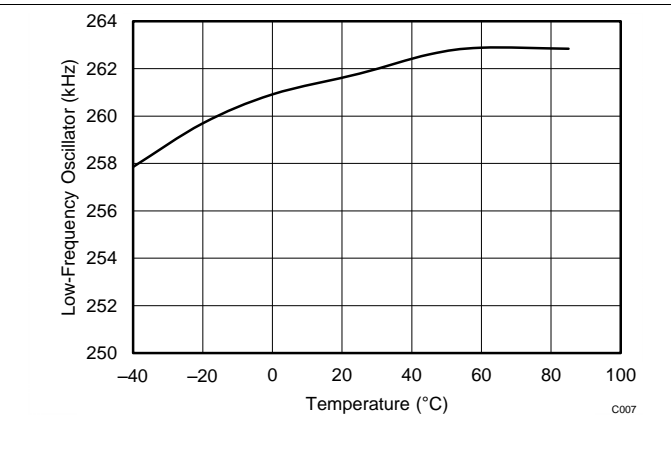
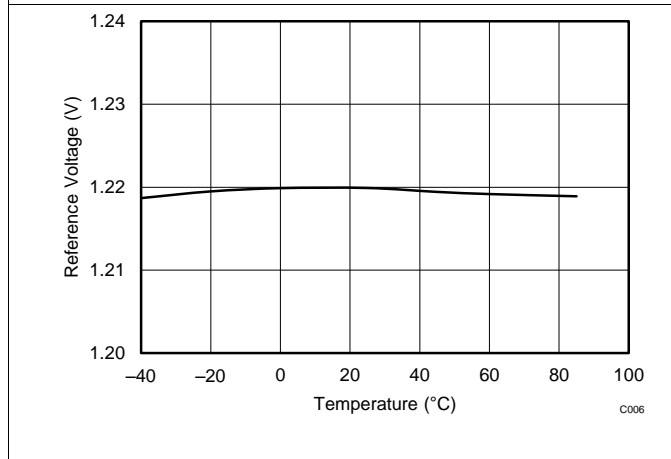
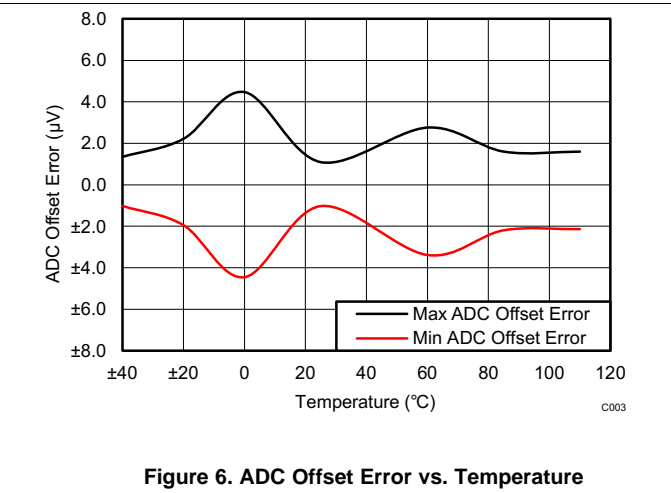
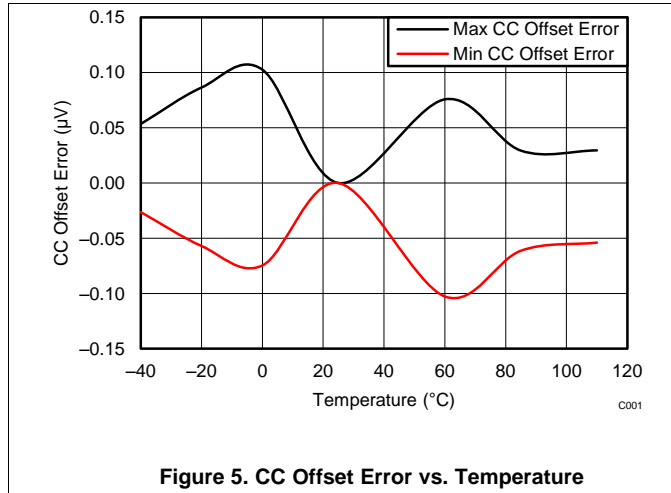
**Timeout Condition**



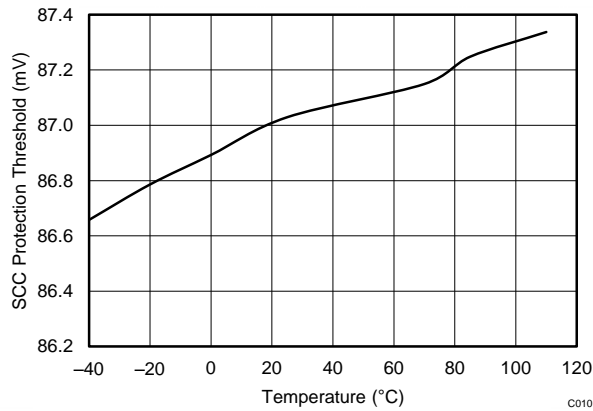
**Repeated Start Condition**

**Figure 4. SMBus Timing Diagram**

### 6.35 Typical Characteristics

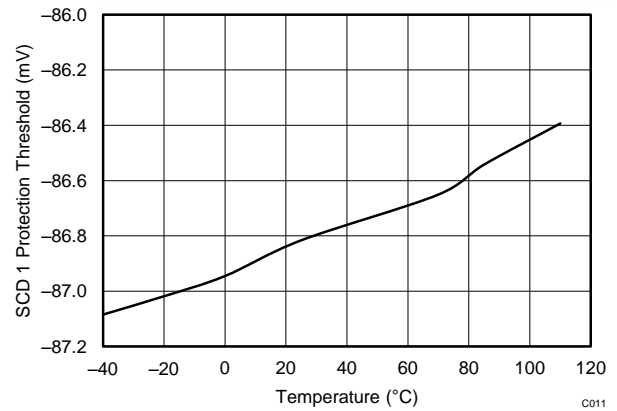


Typical Characteristics (continued)



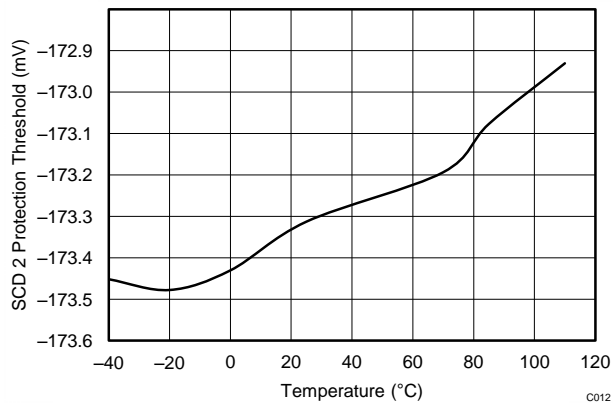
Threshold setting is 88.85 mV.

Figure 11. Short Circuit Charge Protection Threshold vs. Temperature



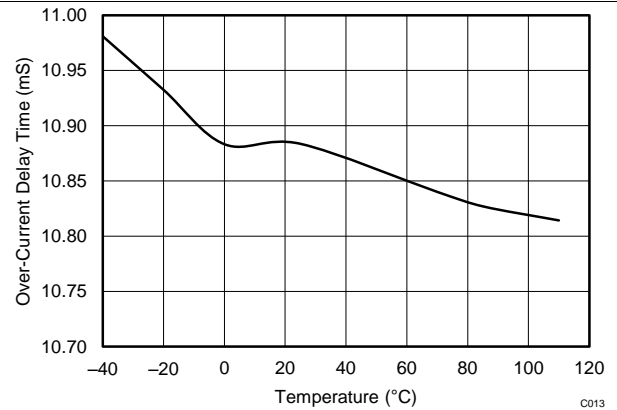
Threshold setting is -88.85 mV.

Figure 12. Short Circuit Discharge 1 Protection Threshold vs. Temperature



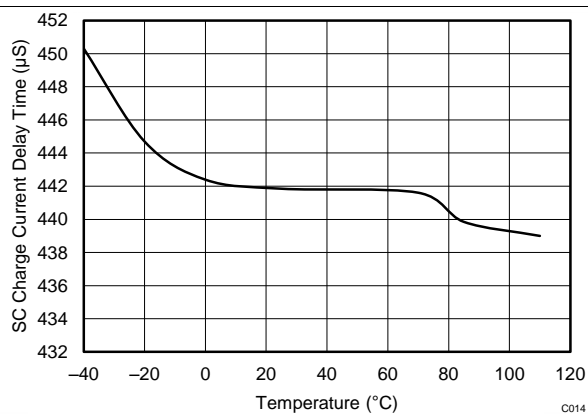
Threshold setting is -177.7 mV.

Figure 13. Short Circuit Discharge 2 Protection Threshold vs. Temperature



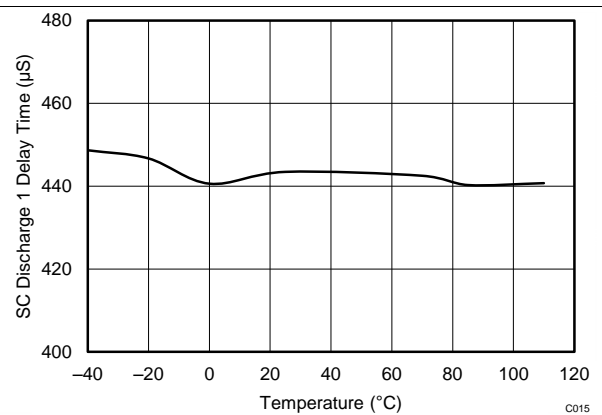
Threshold setting is 11 ms.

Figure 14. Overcurrent Delay Time vs. Temperature



Threshold setting is 465 µs.

Figure 15. Short Circuit Charge Current Delay Time vs. Temperature



Threshold setting is 465 µs (including internal delay).

Figure 16. Short Circuit Discharge 1 Delay Time vs. Temperature

Typical Characteristics (continued)

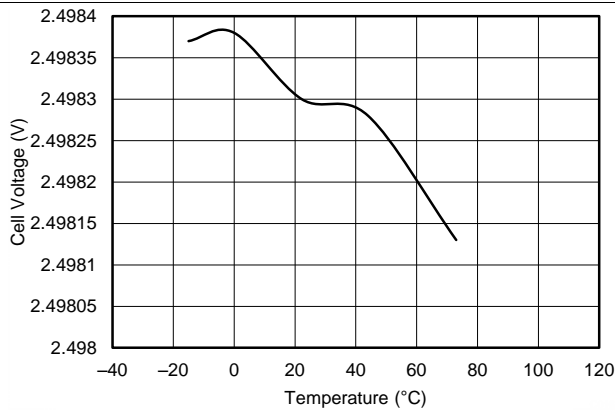
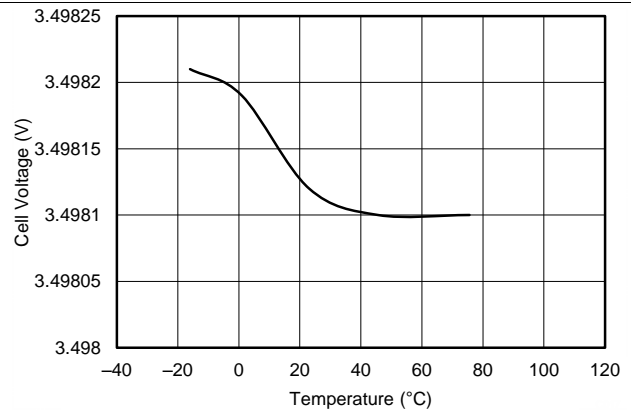
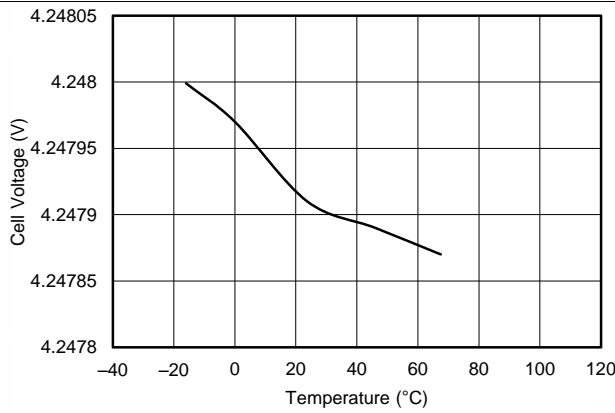


Figure 17.  $V_{CELL}$  Measurement at 2.5-V vs. Temperature



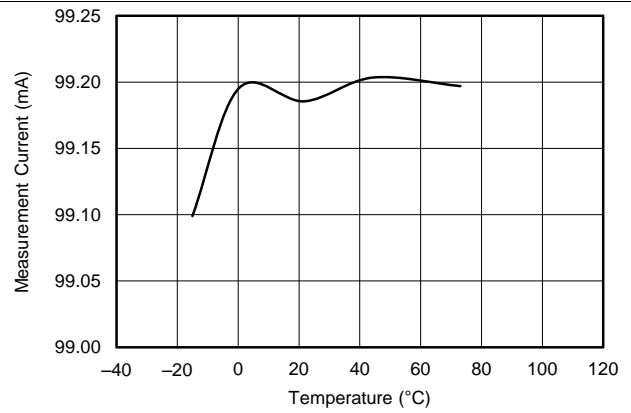
This is the  $V_{CELL}$  average for single cell.

Figure 18.  $V_{CELL}$  Measurement at 3.5-V vs. Temperature



This is the  $V_{CELL}$  average for single cell.

Figure 19.  $V_{CELL}$  Measurement at 4.25-V vs. Temperature



$I_{SET} = 100 \text{ mA}$

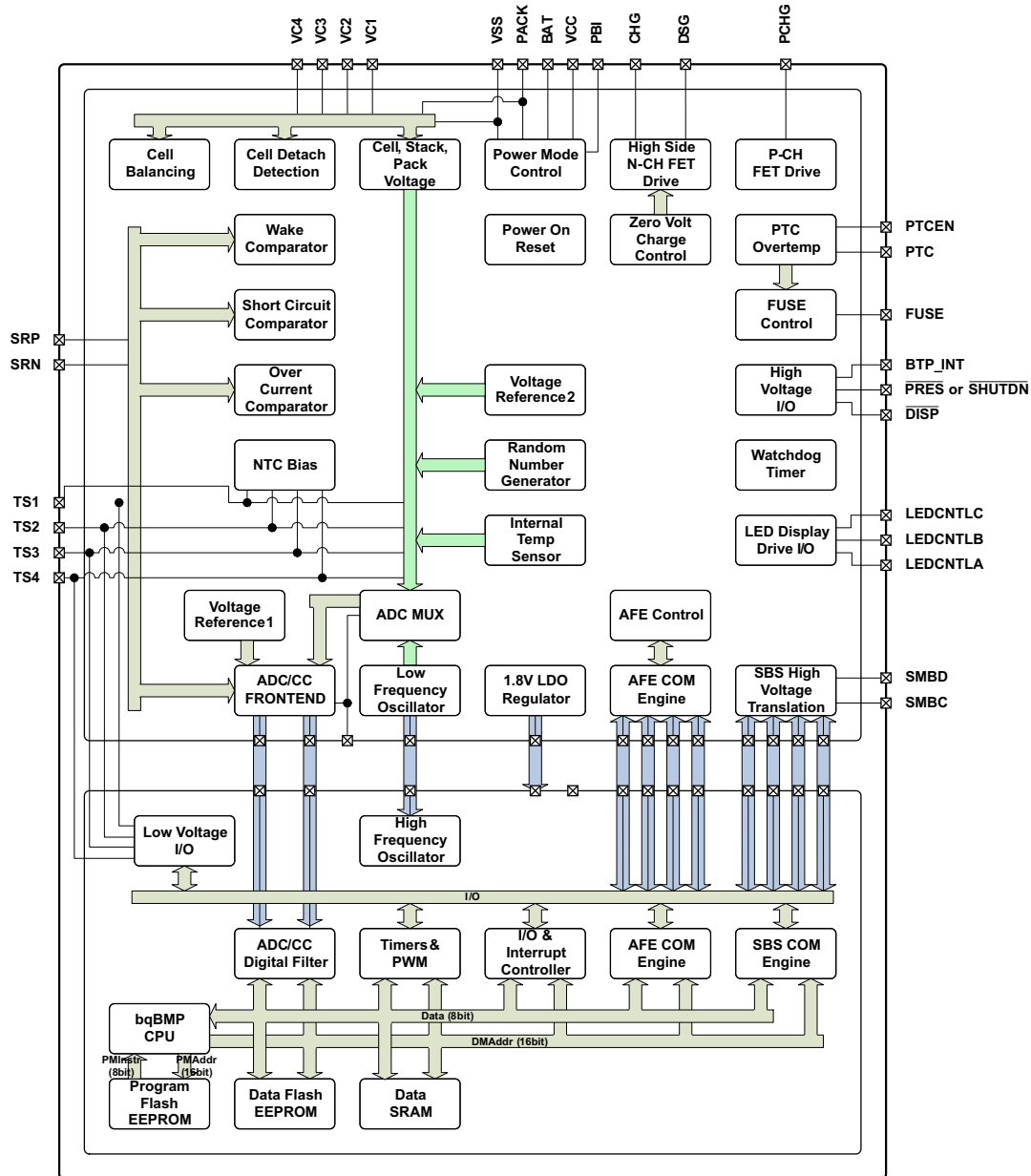
Figure 20.  $I$  Measured vs. Temperature

## 7 Detailed Description

### 7.1 Overview

The bq4050 device, incorporating Compensated End-of-Discharge Voltage (CEDV) technology, provides cell balancing while charging or at rest. This fully integrated, single-chip, pack-based solution, including a diagnostic lifetime data monitor and black box recorder, provides a rich array of features for gas gauging, protection, and authentication for 1-series, 2-series, 3-series, and 4-series cell Li-Ion and Li-Polymer battery packs.

### 7.2 Functional Block Diagram



Copyright © 2017, Texas Instruments Incorporated

## 7.3 Feature Description

### 7.3.1 Primary (1st Level) Safety Features

The bq4050 gas gauge supports a wide range of battery and system protection features that can easily be configured. See the *bq4050 Technical Reference Manual* ([SLUUAQ3](#)) for detailed descriptions of each protection function.

The primary safety features include:

- Cell Overvoltage Protection
- Cell Undervoltage Protection
- Overcurrent in Charge Protection
- Overcurrent in Discharge Protection
- Overload in Discharge Protection
- Short Circuit in Charge Protection
- Short Circuit in Discharge Protection
- Overtemperature in Charge Protection
- Overtemperature in Discharge Protection
- Undertemperature in Charge Protection
- Undertemperature in Discharge Protection
- Overtemperature FET protection
- Precharge Timeout Protection
- Host Watchdog Timeout Protection
- Overcharge Protection
- Overcharging Voltage Protection
- Overcharging Current Protection
- Over Precharge Current Protection

### 7.3.2 Secondary (2nd Level) Safety Features

The secondary safety features of the bq4050 gas gauge can be used to indicate more serious faults via the FUSE pin. This pin can be used to blow an in-line fuse to permanently disable the battery pack from charging or discharging. See the *bq4050 Technical Reference Manual* ([SLUUAQ3](#)) for detailed descriptions of each protection function.

The secondary safety features provide protection against:

- Safety Overvoltage Permanent Failure
- Safety Undervoltage Permanent Failure
- Safety Overtemperature Permanent Failure
- Safety FET Overtemperature Permanent Failure
- Fuse Failure Permanent Failure
- PTC Permanent Failure
- Voltage Imbalance at Rest (VIMR) Permanent Failure
- Voltage Imbalance Active (VIMA) Permanent Failure
- Charge FET Permanent Failure
- Discharge FET Permanent Failure
- AFE Register Permanent Failure
- AFE Communication Permanent Failure
- Second Level Protector Permanent Failure
- Instruction Flash Checksum Permanent Failure
- Open Cell Connection Permanent Failure
- Data Flash Permanent Failure
- Open Thermistor Permanent Failure

## Feature Description (continued)

### 7.3.3 Charge Control Features

The bq4050 gas gauge charge control features include:

- Supports JEITA temperature ranges. Reports charging voltage and charging current according to the active temperature range
- Handles more complex charging profiles. Allows for splitting the standard temperature range into two subranges and allows for varying the charging current according to the cell voltage
- Reports the appropriate charging current needed for constant current charging and the appropriate charging voltage needed for constant voltage charging to a smart charger using SMBus broadcasts
- Reduces the charge difference of the battery cells in fully charged state of the battery pack gradually using a voltage-based cell balancing algorithm during charging. A voltage threshold can be set up for cell balancing to be active. This prevents fully charged cells from overcharging and causing excessive degradation and also increases the usable pack energy by preventing premature charge termination.
- Supports precharging/0-volt charging
- Supports charge inhibit and charge suspend if the battery pack temperature is out of temperature range
- Reports charging fault and also indicates charge status via charge and discharge alarms

### 7.3.4 Gas Gauging

The bq4050 gas gauge uses the Compensated End-of-Discharge Voltage (CEDV) algorithm to measure and calculate the available capacity in battery cells. The bq4050 device accumulates a measure of charge and discharge currents, estimates self-discharge of the battery, and adjusts the self-discharge estimation based on temperature. See the *bq4050 Technical Reference Manual (SLUUAQ3)* for further details.

### 7.3.5 Configuration

#### 7.3.5.1 Oscillator Function

The bq4050 gas gauge fully integrates the system oscillators and does not require any external components to support this feature.

#### 7.3.5.2 System Present Operation

The bq4050 gas gauge checks the  $\overline{\text{PRES}}$  pin periodically (1 s). If  $\overline{\text{PRES}}$  input is pulled to ground by the external system, the bq4050 device detects this as system present.

#### 7.3.5.3 Emergency Shutdown

For battery maintenance, the emergency shutdown feature enables a push button action connecting the SHUTDOWN pin to shut down an embedded battery pack system before removing the battery. A high-to-low transition of the SHUTDOWN pin signals the bq4050 gas gauge to turn off the CHG and DSG FETs, disconnecting the power from the system to safely remove the battery pack. The CHG and DSG FETs can be turned on again by another high-to-low transition detected by the SHUTDOWN pin or when a data flash configurable timeout is reached.

#### 7.3.5.4 1-Series, 2-Series, 3-Series, or 4-Series Cell Configuration

In a 1-series cell configuration, VC4 is shorted to VC, VC2, and VC1. In a 2-series cell configuration, VC4 is shorted to VC3 and VC2. In a 3-series cell configuration, VC4 is shorted to VC3.

#### 7.3.5.5 Cell Balancing

The device reduces the charge difference of the battery cells in a fully charged state of the battery pack by gradually using a voltage-based cell balancing algorithm during charging. A voltage threshold can be set up for cell balancing to be active. This prevents fully charged cells from overcharging and causing excessive degradation, and increases the usable pack energy by preventing premature charge termination.



## Feature Description (continued)

### 7.3.6 Battery Parameter Measurements

#### 7.3.6.1 Charge and Discharge Counting

The bq4050 gas gauge uses an integrating delta-sigma analog-to-digital converter (ADC) for current measurement, and a second delta-sigma ADC for individual cell and battery voltage and temperature measurement.

The integrating delta-sigma ADC measures the charge/discharge flow of the battery by measuring the voltage drop across a small-value sense resistor between the SRP and SRN terminals. The integrating ADC measures bipolar signals from  $-0.1\text{ V}$  to  $0.1\text{ V}$ . The bq4050 gauge detects charge activity when  $V_{SR} = V_{(SRP)} - V_{(SRN)}$  is positive, and discharge activity when  $V_{SR} = V_{(SRP)} - V_{(SRN)}$  is negative. The bq4050 gas gauge continuously integrates the signal over time, using an internal counter. The fundamental rate of the counter is 0.26 nVh.

#### 7.3.7 Battery Trip Point (BTP)

Required for WIN8 OS, the battery trip point (BTP) feature indicates when the RSOC of a battery pack has depleted to a certain value set in a DF register. This feature enables a host to program two capacity-based thresholds that govern the triggering of a BTP interrupt on the BTP\_INT pin and the setting or clearing of the *OperationStatus[BTP\_INT]* on the basis of *RemainingCapacity()*.

An internal weak pullup is applied when the BTP feature is active. Depending on the system design, an external pullup may be required to put on the BTP\_INT pin. See [Electrical Characteristics: PRES, BTP\\_INT, DISP](#) for details.

#### 7.3.8 Lifetime Data Logging Features

The bq4050 gas gauge offers lifetime data logging for several critical battery parameters. The following parameters are updated every 10 hours if a difference is detected between values in RAM and data flash:

- Maximum and Minimum Cell Voltages
- Maximum Delta Cell Voltage
- Maximum Charge Current
- Maximum Discharge Current
- Maximum Average Discharge Current
- Maximum Average Discharge Power
- Maximum and Minimum Cell Temperature
- Maximum Delta Cell Temperature
- Maximum and Minimum Internal Sensor Temperature
- Maximum FET Temperature
- Number of Safety Events Occurrences and the Last Cycle of the Occurrence
- Number of Valid Charge Termination and the Last Cycle of the Valid Charge Termination
- Number of Shutdown Events
- Cell Balancing Time for Each Cell  
(This data is updated every 2 hours if a difference is detected.)
- Total FW Runtime and Time Spent in Each Temperature Range  
(This data is updated every 2 hours if a difference is detected.)

#### 7.3.9 Authentication

The bq4050 gas gauge supports authentication by the host using SHA-1.

#### 7.3.10 LED Display

The bq4050 gas gauge can drive a 3-, 4-, or 5- segment LED display for remaining capacity indication and/or a permanent fail (PF) error code indication.

## Feature Description (continued)

### 7.3.11 Voltage

The bq4050 gas gauge updates the individual series cell voltages at 0.25-s intervals. The internal ADC of the bq4050 device measures the voltage, and scales and calibrates it appropriately. This data is also used to calculate the impedance of the cell for the CEDV gas gauging.

### 7.3.12 Current

The bq4050 gas gauge uses the SRP and SRN inputs to measure and calculate the battery charge and discharge current using a 1-m $\Omega$  to 3-m $\Omega$  typ. sense resistor.

### 7.3.13 Temperature

The bq4050 gas gauge has an internal temperature sensor and inputs for four external temperature sensors. All five temperature sensor options can be individually enabled and configured for cell or FET temperature usage. Two configurable thermistor models are provided to enable monitoring of the cell temperature in addition to the FET temperature, which use a different thermistor profile.

### 7.3.14 Communications

The bq4050 gas gauge uses SMBus v1.1 with MASTER mode and packet error checking (PEC) options per the SBS specification.

#### 7.3.14.1 SMBus On and Off State

The bq4050 gas gauge detects an SMBus off state when SMBC and SMBD are low for two or more seconds. Clearing this state requires that either SMBC or SMBD transition high. The communication bus will resume activity within 1 ms.

#### 7.3.14.2 SBS Commands

See the *bq4050 Technical Reference Manual* ([SLUUAQ3](#)) for further details.

## 7.4 Device Functional Modes

The bq4050 gas gauge supports three power modes to reduce power consumption:

- In NORMAL mode, the bq4050 gauge performs measurements, calculations, protection decisions, and data updates in 250-ms intervals. Between these intervals, the bq4050 gauge is in a reduced power stage.
- In SLEEP mode, the bq4050 gauge performs measurements, calculations, protection decisions, and data updates in adjustable time intervals. Between these intervals, the bq4050 gauge is in a reduced power stage. The bq4050 gauge has a wake function that enables exit from SLEEP mode when current flow or failure is detected.
- In SHUTDOWN mode, the bq4050 gauge is completely disabled.

## 8 Applications and Implementation

---

### NOTE

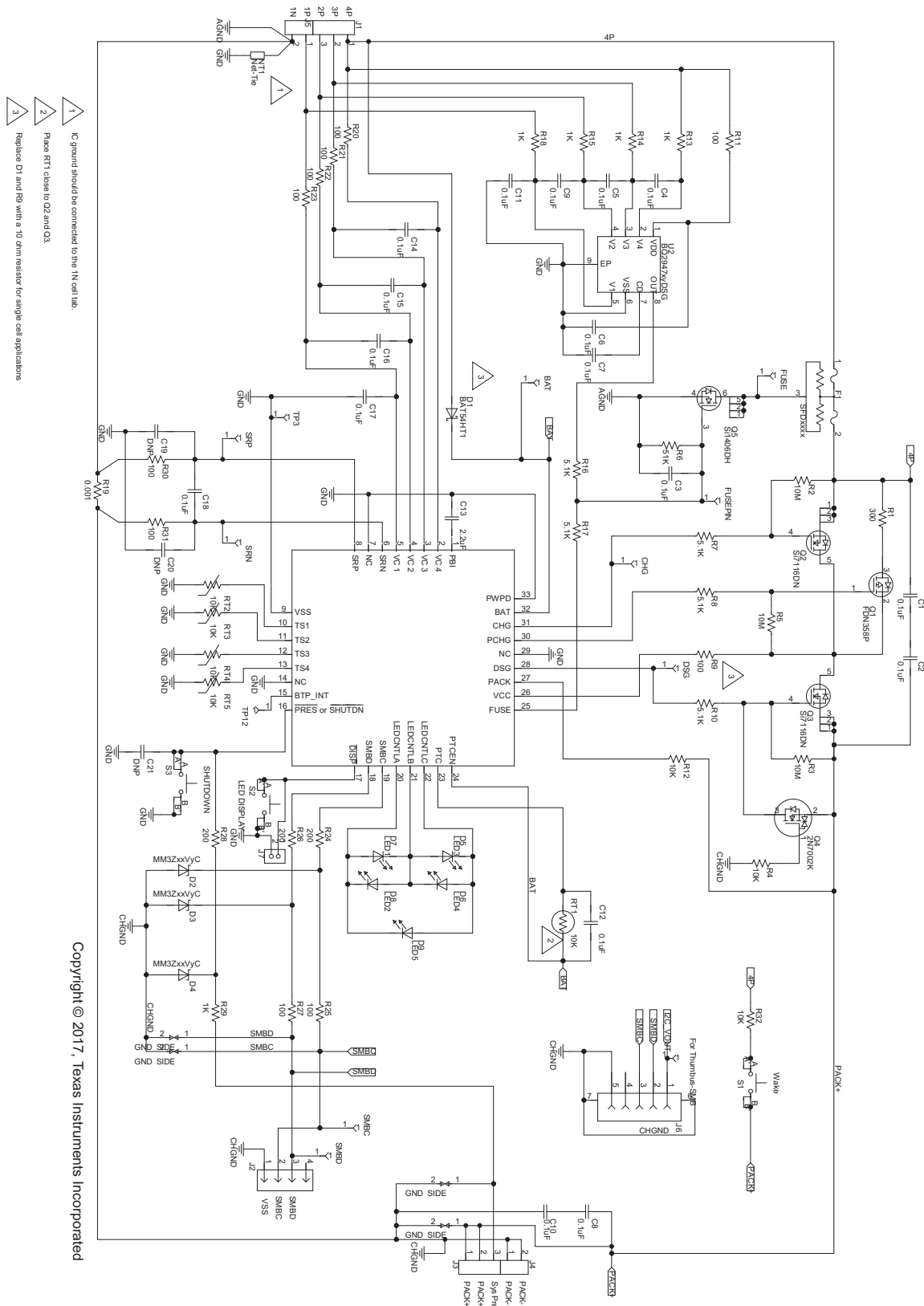
Information in the following applications sections is not part of the TI component specification, and TI does not warrant its accuracy or completeness. TI's customers are responsible for determining suitability of components for their purposes. Customers should validate and test their design implementation to confirm system functionality.

---

### 8.1 Application Information

The bq4050 gas gauge has primary protection support to be used with a 1-series to 4-series Li-Ion/Li Polymer battery pack. To implement and design a comprehensive set of parameters for a specific battery pack, users need the Battery Management Studio ([bqStudio](#)) graphical user-interface tool installed on a PC during development. The firmware installed on the bqStudio tool has default values for this product, which are summarized in the *bq4050 Technical Reference Manual* ([SLUUAQ3](#)). Using the bqStudio tool, these default values can be changed to cater to specific application requirements during development once the system parameters, such as fault trigger thresholds for protection, enable/disable of certain features for operation, configuration of cells, chemistry that best matches the cell used, and more are known. This data is referred to as the "golden image."

## 8.2 Typical Applications



- 1 IC ground should be connected to the 1N cell tab.
- 2 Place RT1 close to C2 and C3.
- 3 Replace D1 and R9 with a 10-ohm resistor for single cell applications.

Copyright © 2017, Texas Instruments Incorporated

Figure 21. Application Schematic

## Typical Applications (continued)

### 8.2.1 Design Requirements

Table 1 shows the default settings for the main parameters. Use the [bqStudio](#) tool to update the settings to meet the specific application or battery pack configuration requirements.

The device should be calibrated before any gauging test. Follow the information in the bqStudio **Calibration** page to calibrate the device, and use the bqStudio **Chemistry** page to update the match chemistry profile to the device.

**Table 1. Design Parameters**

| DESIGN PARAMETER                                    | EXAMPLE  |
|---|--|
| Cell Configuration                                  | 3s1p (3-series with 1 Parallel) <sup>(1)</sup> |
| Design Capacity                                     | 4400 mAh                                       |
| Device Chemistry                                    | 1210 (LiCoO2/graphitized carbon)               |
| Cell Overvoltage at Standard Temperature            | 4300 mV  |
| Cell Undervoltage                                   | 2500 mV  |
| Shutdown Voltage                                    | 2300 mV  |
| Overcurrent in CHARGE Mode                          | 6000 mA  |
| Overcurrent in DISCHARGE Mode                       | –6000 mA                                       |
| Short Circuit in CHARGE Mode                        | 0.1 V/Rsense across SRP, SRN                   |
| Short Circuit in DISCHARGE Mode                     | 0.1 V/Rsense across SRP, SRN                   |
| Safety Overvoltage                                  | 4500 mV  |
| Cell Balancing                                      | Disabled                                       |
| Internal and External Temperature Sensor            | External Temperature Sensors are used.         |
| Undertemperature Charging                           | 0°C  |
| Undertemperature Discharging                        | 0°C  |
| BROADCAST Mode                                      | Disabled                                       |
| Battery Trip Point (BTP) with active high interrupt | Disabled                                       |

(1) When using the device the first time, if the a 1-s or 2-s battery pack is used, then a charger or power supply should be connected to the PACK+ terminal to prevent device shutdown. Then update the cell configuration (see the [bq4050 Technical Reference Manual \(SLUUAQ3\)](#) for details) before removing the charger connection.

### 8.2.2 Detailed Design Procedure

#### 8.2.2.1 High-Current Path

The high-current path begins at the PACK+ terminal of the battery pack. As charge current travels through the pack, it finds its way through protection FETs, a chemical fuse, the lithium-ion cells and cell connections, and the sense resistor, and then returns to the PACK– terminal (see [Figure 22](#)). In addition, some components are placed across the PACK+ and PACK– terminals to reduce effects from electrostatic discharge.

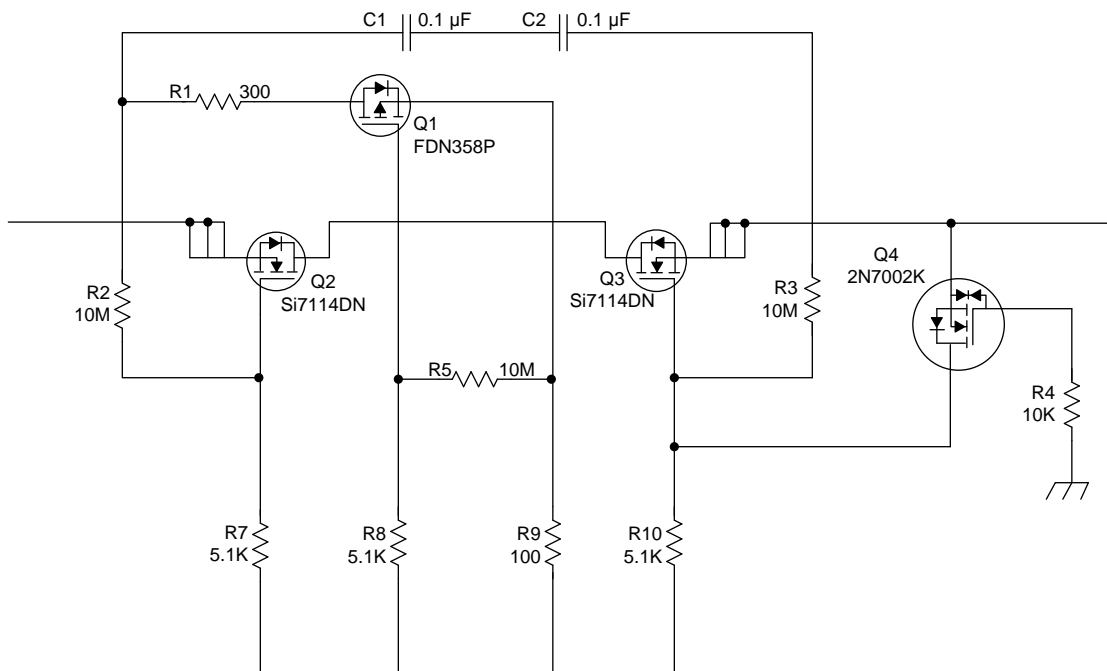
##### 8.2.2.1.1 Protection FETs

Select the N-CH charge and discharge FETs for a given application. Most portable battery applications are a good match for the CSD17308Q3. The TI CSD17308Q3 is a 47A, 30-V device with Rds(on) of 8.2 mΩ when the gate drive voltage is 8 V.

If a precharge FET is used, R1 is calculated to limit the precharge current to the desired rate. Be sure to account for the power dissipation of the series resistor. The precharge current is limited to  $(V_{\text{CHARGER}} - V_{\text{BAT}})/R1$  and maximum power dissipation is  $(V_{\text{charger}} - V_{\text{bat}})^2/R1$ .

The gates of all protection FETs are pulled to the source with a high-value resistor between the gate and source to ensure they are turned off if the gate drive is open.

Capacitors C1 and C2 help protect the FETs during an ESD event. Using two devices ensures normal operation if one becomes shorted. To have good ESD protection, the copper trace inductance of the capacitor leads must be designed to be as short and wide as possible. Ensure that the voltage ratings of C1 and C2 are adequate to hold off the applied voltage if one of the capacitors becomes shorted.



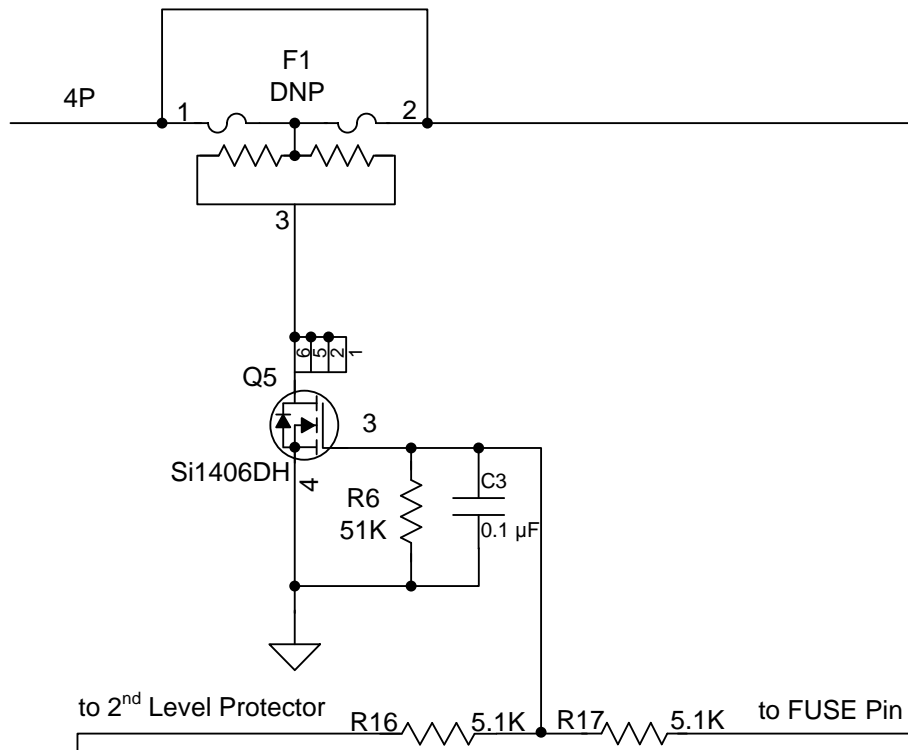
Copyright © 2016, Texas Instruments Incorporated

**Figure 22. bq4050 Protection FETs**

### 8.2.2.1.2 Chemical Fuse

The chemical fuse (Dexerials, Uchihashi, and so on) is ignited under command from either the bq294700 secondary voltage protection IC or from the FUSE pin of the gas gauge. Either of these events applies a positive voltage to the gate of Q5, shown in [Figure 23](#), which then sinks current from the third terminal of the fuse, causing it to ignite and open permanently.

It is important to carefully review the fuse specifications and match the required ignition current to that available from the N-CH FET. Ensure that the proper voltage, current, and  $R_{ds(on)}$  ratings are used for this device. The fuse control circuit is discussed in detail in [FUSE Circuitry](#).



Copyright © 2016, Texas Instruments Incorporated

Figure 23. FUSE Circuit

### 8.2.2.1.3 Lithium-Ion Cell Connections

The important part to remember about the cell connections is that high current flows through the top and bottom connections; therefore, the voltage sense leads at these points must be made with a Kelvin connection to avoid any errors due to a drop in the high-current copper trace. The location marked 4P in Figure 24 indicates the Kelvin connection of the most positive battery node. The connection marked 1N is equally important. The VC5 pin (a ground reference for cell voltage measurement), which is in the older generation devices, is not in the bq4050 device. Therefore, the single-point connection at 1N to the low-current ground is needed to avoid an undesired voltage drop through long traces while the gas gauge is measuring the bottom cell voltage.

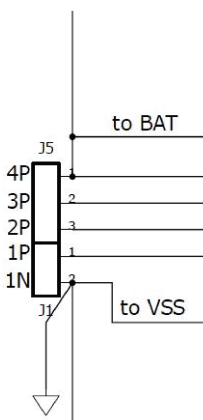
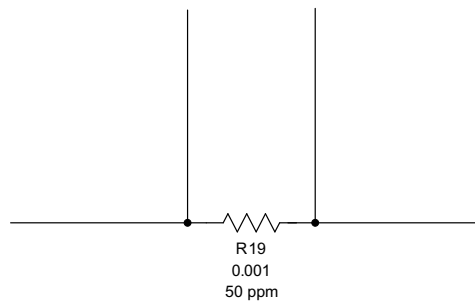


Figure 24. Lithium-Ion Cell Connections

#### 8.2.2.1.4 Sense Resistor

As with the cell connections, the quality of the Kelvin connections at the sense resistor is critical. The sense resistor must have a temperature coefficient no greater than 50 ppm in order to minimize current measurement drift with temperature. Choose the value of the sense resistor to correspond to the available overcurrent and short-circuit ranges of the bq4050 gauge. Select the smallest value possible to minimize the negative voltage generated on the bq4050  $V_{SS}$  node(s) during a short circuit. This pin has an absolute minimum of  $-0.3$  V. Parallel resistors can be used as long as good Kelvin sensing is ensured. The device is designed to support a  $1\text{-m}\Omega$  to  $3\text{-m}\Omega$  sense resistor.

The ground scheme of bq4050 gauge is different from the older generation devices. In previous devices, the device ground (or low current ground) is connected to the SRN side of the Rsense resistor pad. The bq4050 gauge, however, it connects the low-current ground on the SRP side of the Rsense resistor pad close to the battery 1N terminal (see [Lithium-Ion Cell Connections](#)). This is because the bq4050 gauge has one less VC pin (a ground reference pin VC5) compared to the previous devices. The pin was removed and was internally combined to SRP.



Copyright © 2016, Texas Instruments Incorporated

**Figure 25. Sense Resistor**

#### 8.2.2.1.5 ESD Mitigation

A pair of series  $0.1\text{-}\mu\text{F}$  ceramic capacitors is placed across the PACK+ and PACK– terminals to help in the mitigation of external electrostatic discharges. The two devices in series ensure continued operation of the pack if one of the capacitors becomes shorted.

Optionally, a tranzorb such as the SMBJ2A can be placed across the terminals to further improve ESD immunity.

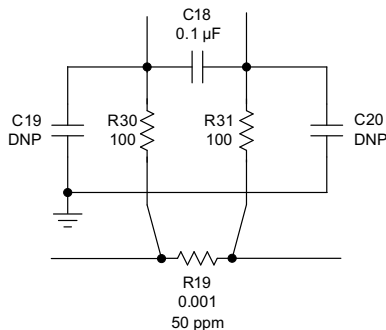
#### 8.2.2.2 Gas Gauge Circuit

The gas gauge circuit includes the bq4050 gauge and its peripheral components. These components are divided into the following groups: Differential Low-Pass Filter, PBI, system present, SMBus Communication, FUSE circuit, and LED.

##### 8.2.2.2.1 Coulomb-Counting Interface

The bq4050 gauge uses an integrating delta-sigma ADC for current measurements. Add a  $100\text{-}\Omega$  resistor from the sense resistor to the SRP and SRN inputs of the device. Place a  $0.1\text{-}\mu\text{F}$  (C18) filter capacitor across the SRP and SRN inputs. Optional  $0.1\text{-}\mu\text{F}$  filter capacitors (C19 and C20) can be added for additional noise filtering if required for a circuit.





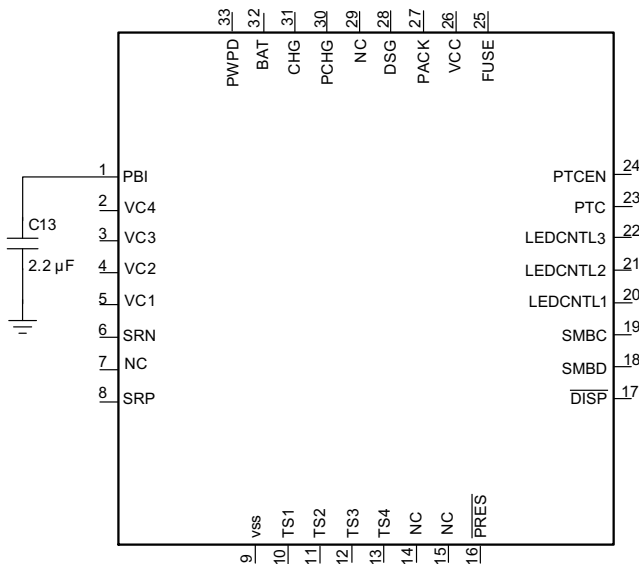
Copyright © 2016, Texas Instruments Incorporated

Figure 26. Differential Filter

8.2.2.2.2 Power Supply Decoupling and PBI

The bq4050 gauge has an internal LDO that is internally compensated and does not require an external decoupling capacitor.

The PBI pin is used as a power supply backup input pin providing power during brief transient power outages. A standard 2.2-μF ceramic capacitor is connected from the PBI pin to ground as shown in Figure 27.

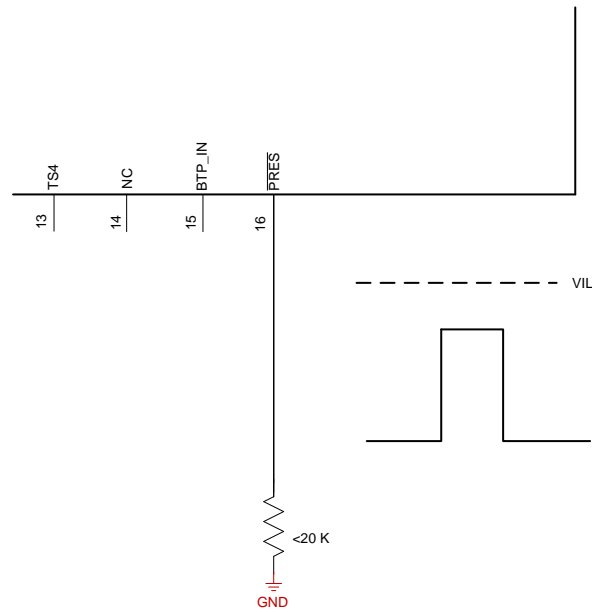


Copyright © 2016, Texas Instruments Incorporated

Figure 27. Power Supply Decoupling

8.2.2.2.3 System Present

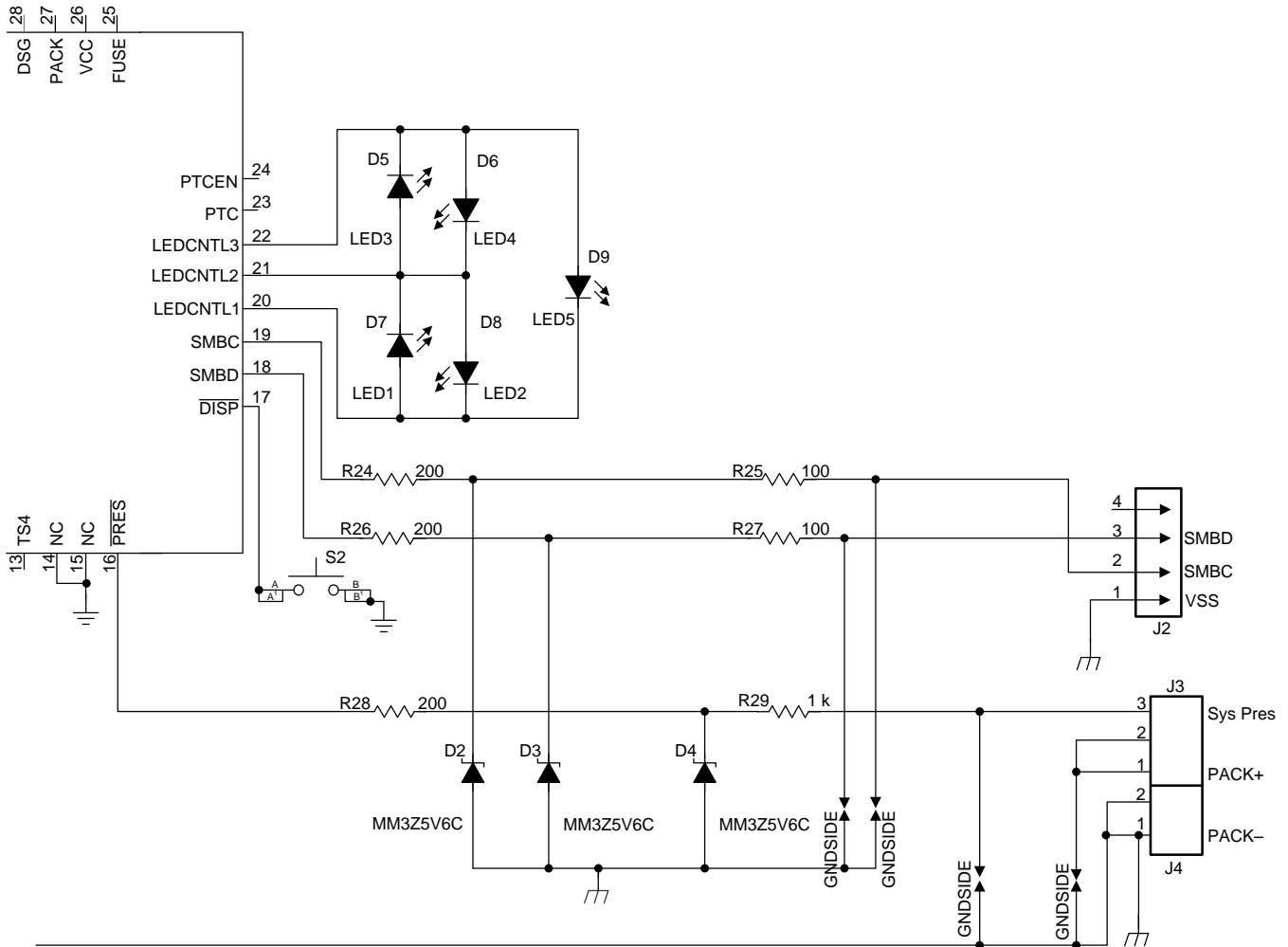
The system present signal is used to inform the gas gauge whether the pack is installed into or removed from the system. In the host system, this pin is grounded. The PRES pin of the bq4050 gauge is occasionally sampled to test for system present. To save power, an internal pullup is provided by the gas gauge during a brief 4-μs sampling pulse once per second. A resistor can be used to pull the signal low and the resistance must be 20 kΩ or lower to ensure that the test pulse is lower than the VIL limit. The pullup current source is typically 10 μA to 20 μA.



Copyright © 2016, Texas Instruments Incorporated

**Figure 28. System Present Pull-Down Resistor**

Because the system present signal is part of the pack connector interface to the outside world, it must be protected from external electrostatic discharge events. An integrated ESD protection on the PRES device pin reduces the external protection requirement to just R29 for an 8-kV ESD contact rating. However, if it is possible that the system present signal may short to PACK+, then R28 and D4 must be included for high-voltage protection.



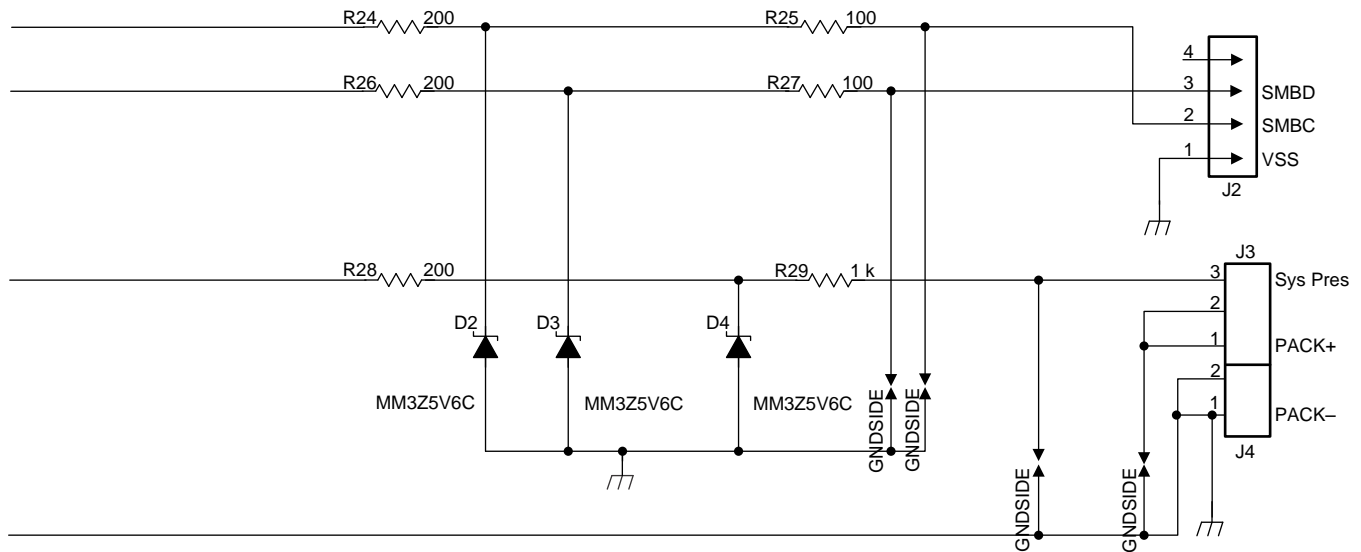
Copyright © 2016, Texas Instruments Incorporated

Figure 29. System Present ESD and Short Protection

#### 8.2.2.2.4 SMBus Communication

The SMBus clock and data pins have integrated high-voltage ESD protection circuits; however, adding a Zener diode (D2 and D3) and series resistor (R24 and R26) provides more robust ESD performance.

The SMBus clock and data lines have internal pulldown. When the gas gauge senses that both lines are low (such as during removal of the pack), the device performs auto-offset calibration and then goes into SLEEP mode to conserve power.



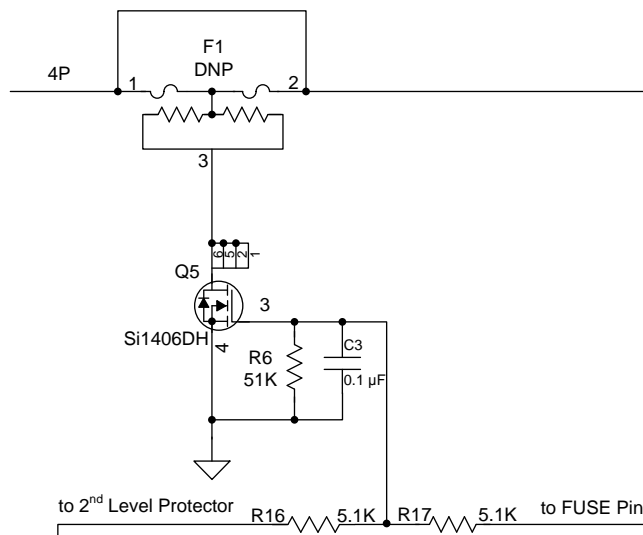
Copyright © 2016, Texas Instruments Incorporated

**Figure 30. ESD Protection for SMB Communication**

### 8.2.2.2.5 FUSE Circuitry

The FUSE pin of the bq4050 gauge is designed to ignite the chemical fuse if one of the various safety criteria is violated. The FUSE pin also monitors the state of the secondary-voltage protection IC. Q5 ignites the chemical fuse when its gate is high. The 7-V output of the bq294700 is divided by R16 and R6, which provides adequate gate drive for Q5 while guarding against excessive back current into the bq294700 if the FUSE signal is high.

Using C3 is generally a good practice, especially for RFI immunity. C3 may be removed, if desired, because the chemical fuse is a comparatively slow device and is not affected by any submicrosecond glitches that come from the FUSE output during the cell connection process.



Copyright © 2016, Texas Instruments Incorporated

**Figure 31. FUSE Circuit**

When the bq4050 gauge is commanded to ignite the chemical fuse, the FUSE pin activates to give a typical 8-V output. The new design makes it possible to use a higher V<sub>gs</sub> FET for Q5. This improves the robustness of the system, as well as widens the choices for Q5.

### 8.2.2.3 Secondary-Current Protection

The bq4050 gauge provides secondary overcurrent and short-circuit protection, cell balancing, cell voltage multiplexing, and voltage translation. The following discussion examines cell and battery inputs, pack and FET control, temperature output, and cell balancing.

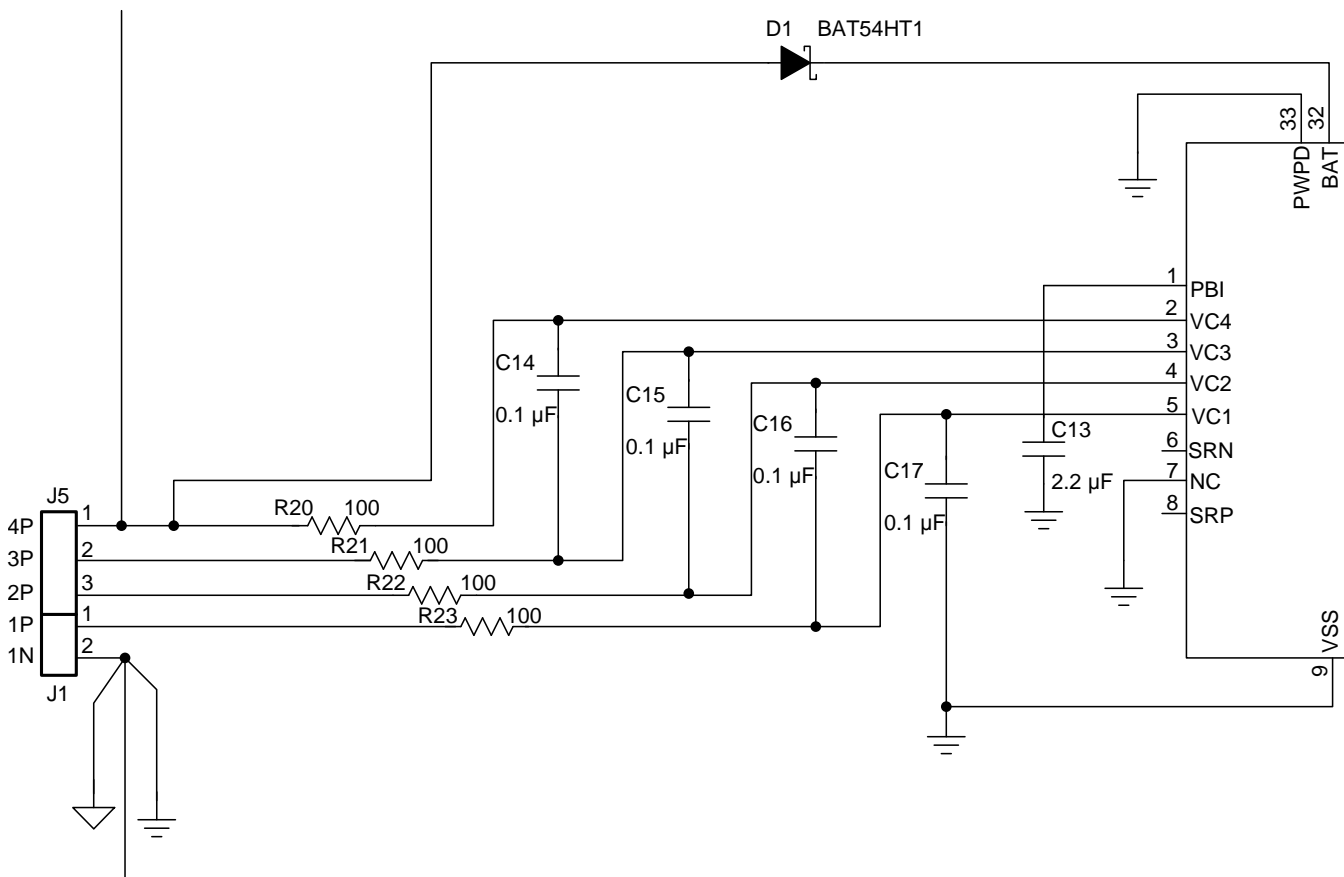
#### 8.2.2.3.1 Cell and Battery Inputs

Each cell input is conditioned with a simple RC filter, which provides ESD protection during cell connect and acts to filter unwanted voltage transients. The resistor value allows some trade-off for cell balancing versus safety protection.

The integrated cell balancing FETs allow the AFE to bypass cell current around a given cell or numerous cells, effectively balancing the entire battery stack. External series resistors placed between the cell connections and the VCx I/O pins set the balancing current magnitude. The internal FETs provide a 200-Ω resistance ( $2\text{ V} < \text{VDS} < 4\text{ V}$ ). Series input resistors between 100 Ω and 1 kΩ are recommended for effective cell balancing.

The BAT input uses a diode (D1) to isolate and decouple it from the cells in the event of a transient dip in voltage caused by a short-circuit event.

Also, as described in [High-Current Path](#), the top and bottom nodes of the cells must be sensed at the battery connections with a Kelvin connection to prevent voltage sensing errors caused by a drop in the high-current PCB copper.



Copyright © 2016, Texas Instruments Incorporated

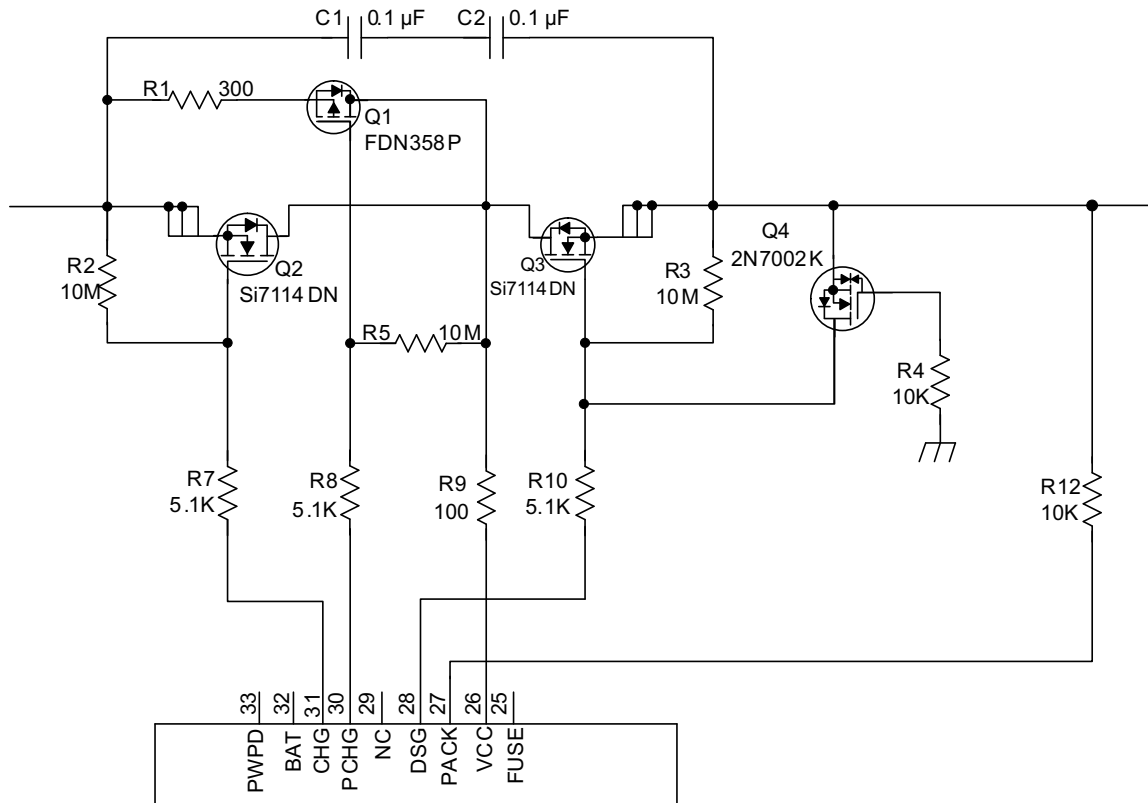
Figure 32. Cell and BAT Inputs

#### 8.2.2.3.2 External Cell Balancing

Internal cell balancing can only support up to 10 mA. External cell balancing is provided as another option for faster cell balancing. For details, refer to the application note, [Fast Cell Balancing Using External MOSFET \(SLUA420\)](#).

### 8.2.2.3.3 PACK and FET Control

The PACK and  $V_{CC}$  inputs provide power to the bq4050 gauge from the charger. The PACK input also provides a method to measure and detect the presence of a charger. The PACK input uses a 100- $\Omega$  resistor; whereas, the  $V_{CC}$  input uses a diode to guard against input transients and prevents misoperation of the data driver during short-circuit events.



Copyright © 2016, Texas Instruments Incorporated

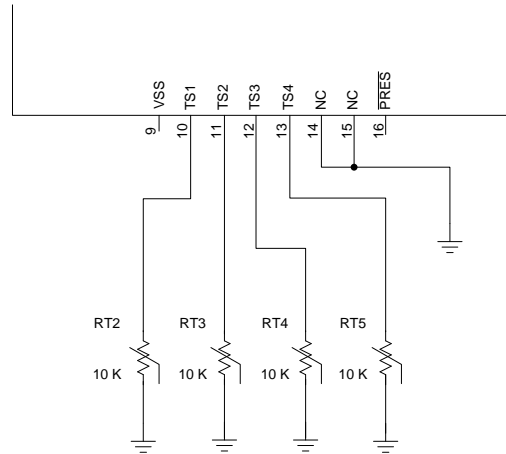
**Figure 33. bq4050 PACK and FET Control**

The N-CH charge and discharge FETs are controlled with 5.1-k $\Omega$  series gate resistors, which provide a switching time constant of a few microseconds. The 10-M $\Omega$  resistors ensure that the FETs are off in the event of an open connection to the FET drivers. Q4 is provided to protect the discharge FET (Q3) in the event of a reverse-connected charger. Without Q4, Q3 can be driven into its linear region and suffer severe damage if the PACK+ input becomes slightly negative.

Q4 turns on in that case to protect Q3 by shorting its gate to source. To use the simple ground gate circuit, the FET must have a low gate turn-on threshold. If it is desired to use a more standard device, such as the 2N7002 as the reference schematic, the gate should be biased up to 3.3 V with a high-value resistor. The bq4050 device has the capability to provide a current-limited charging path typically used for low battery voltage or low temperature charging. The bq4050 device uses an external P-channel, precharge FET controlled by PCHG.

### 8.2.2.3.4 Temperature Output

For the bq4050 device, TS1, TS2, TS3, and TS4 provide thermistor drive-under program control. Each pin can be enabled with an integrated 18-k $\Omega$  (typical) linearization pullup resistor to support the use of a 10-k $\Omega$  at 25 $^{\circ}$ C (103) NTC external thermistor, such as a Mitsubishi BN35-3H103. The reference design includes four 10-k $\Omega$  thermistors: RT1, RT2, RT3, and RT4. The bq4050 device supports up to four external thermistors. Connect unused thermistor pins to  $V_{SS}$ .

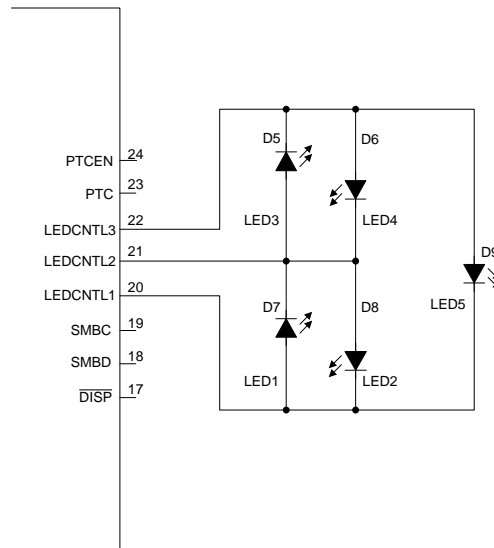


Copyright © 2016, Texas Instruments Incorporated

Figure 34. Thermistor Drive

### 8.2.2.3.5 LEDs

Three LED control outputs provide constant current sinks for the driving external LEDs. These outputs are configured to provide voltage and control for up to 5 LEDs. No external bias voltage is required. Unused LEDCNTL pins can remain open or they can be connected to V<sub>SS</sub>. The  $\overline{\text{DISP}}$  pin should be connected to V<sub>SS</sub>, if the LED feature is not used.



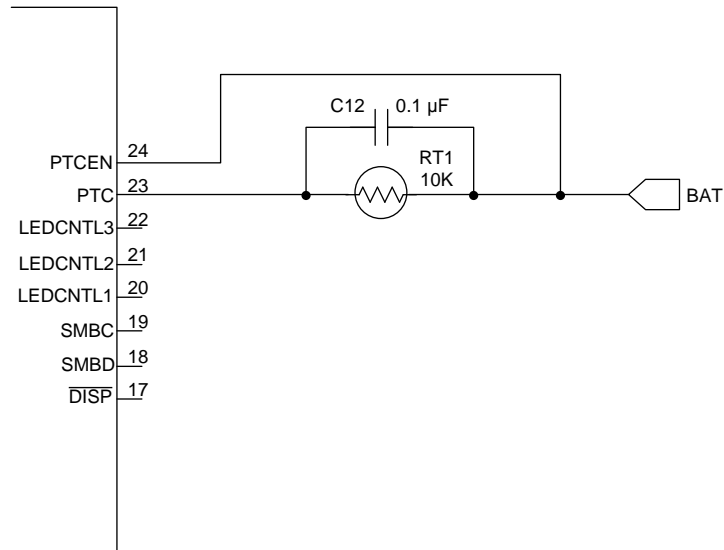
Copyright © 2016, Texas Instruments Incorporated

Figure 35. LEDs

### 8.2.2.3.6 Safety PTC Thermistor

The bq4050 device provides support for a safety PTC thermistor. The PTC thermistor is connected between PTC and PTCEN, and PTCEN is connected to BAT. It can be placed close to the CHG/DSG FETs to monitor the temperature. A PTC fault is one of the permanent failure modes. It can only be cleared by a POR.

To disable, connect PTC and PTCEN to V<sub>SS</sub>.

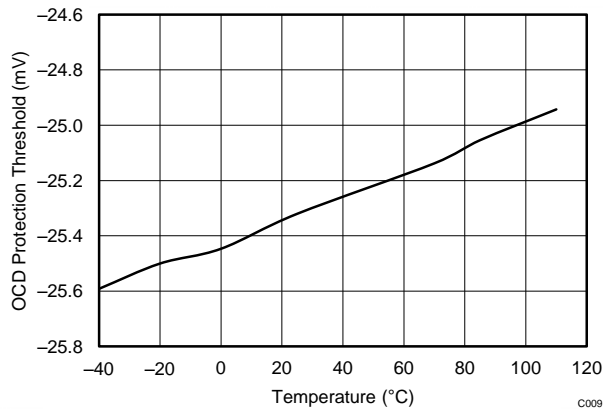


Copyright © 2016, Texas Instruments Incorporated

**Figure 36. PTC Thermistor**

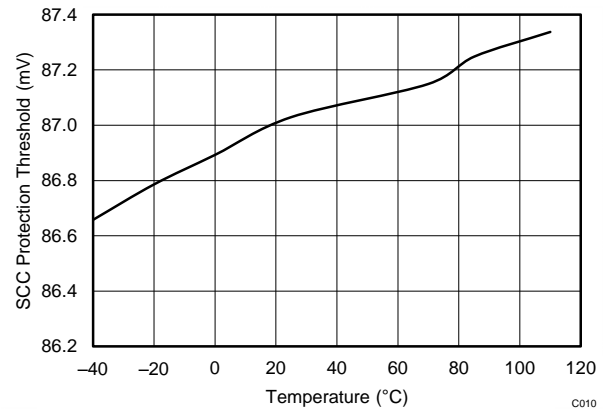


### 8.2.3 Application Curves



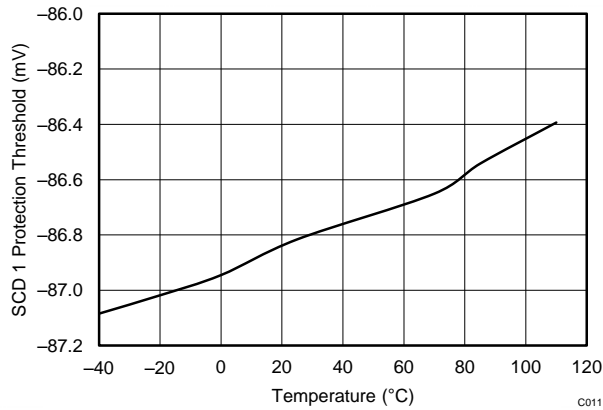
Threshold setting is -25 mV.

**Figure 37. Overcurrent Discharge Protection Threshold Vs. Temperature**



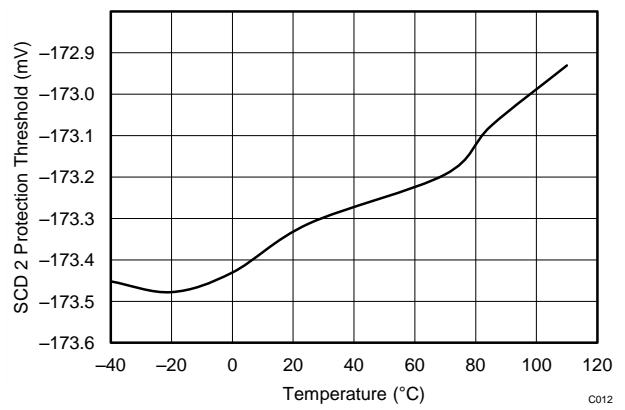
Threshold setting is 88.85 mV.

**Figure 38. Short Circuit Charge Protection Threshold Vs. Temperature**



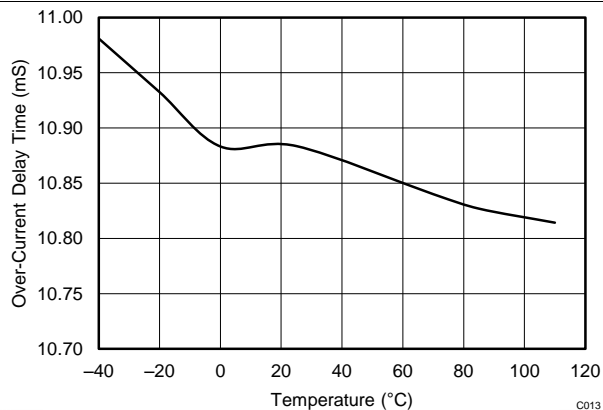
Threshold setting is -88.85 mV.

**Figure 39. Short Circuit Discharge 1 Protection Threshold Vs. Temperature**



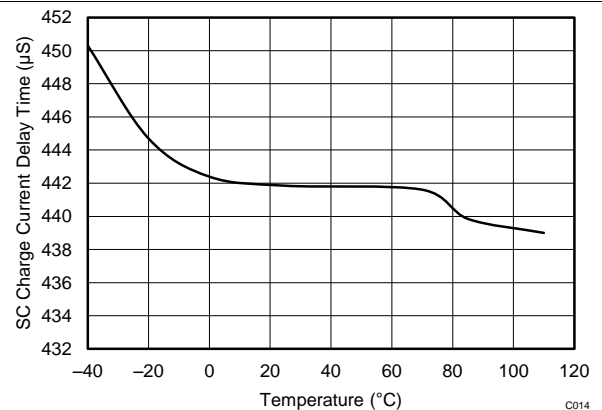
Threshold setting is -177.7 mV.

**Figure 40. Short Circuit Discharge 2 Protection Threshold Vs. Temperature**



Threshold setting is 11 ms.

**Figure 41. Overcurrent Delay Time Vs. Temperature**



Threshold setting is 465 µs.

**Figure 42. Short Circuit Charge Current Delay Time Vs. Temperature**

## 9 Power Supply Recommendations

The device manages its supply voltage dynamically according to the operation conditions. Normally, the BAT input is the primary power source to the device. The BAT pin should be connected to the positive termination of the battery stack. The input voltage for the BAT pin ranges from 2.2 V to 26 V.

The VCC pin is the secondary power input, which activates when the BAT voltage falls below minimum  $V_{CC}$ . This allows the device to source power from a charger (if present) connected to the PACK pin. The VCC pin should be connected to the common drain of the CHG and DSG FETs. The charger input should be connected to the PACK pin.

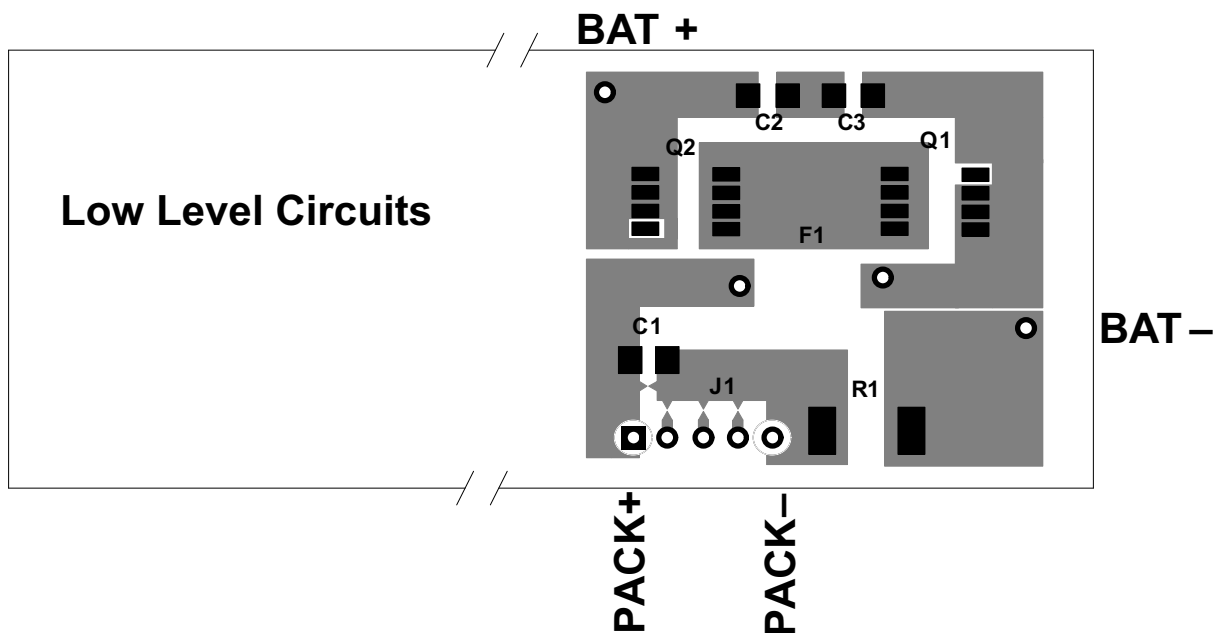
## 10 Layout

### 10.1 Layout Guidelines

A battery fuel gauge circuit board is a challenging environment due to the fundamental incompatibility of high-current traces and ultra-low current semiconductor devices. The best way to protect against unwanted trace-to-trace coupling is with a component placement, such as that shown in [Figure 43](#), where the high-current section is on the opposite side of the board from the electronic devices. Clearly, this is not possible in many situations due to mechanical constraints. Still, every attempt should be made to route high-current traces away from signal traces, which enter the bq4050 gauge directly. IC references and registers can be disturbed and in rare cases damaged due to magnetic and capacitive coupling from the high-current path.

#### NOTE

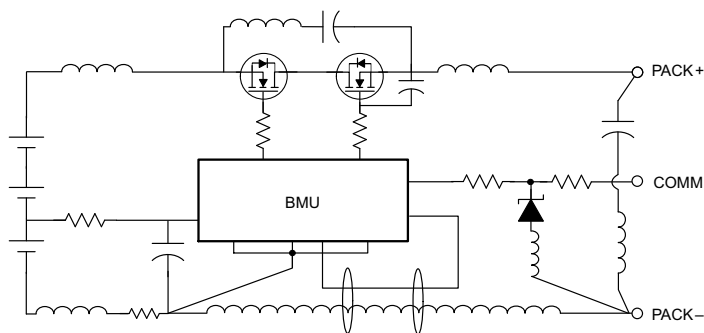
During surge current and ESD events, the high-current traces appear inductive and can couple unwanted noise into sensitive nodes of the gas gauge electronics, as illustrated in [Figure 44](#).



Copyright © 2016, Texas Instruments Incorporated

**Figure 43. Separating High- and Low-Current Sections Provides an Advantage in Noise Immunity**

Layout Guidelines (continued)



Copyright © 2016, Texas Instruments Incorporated

Figure 44. Avoid Close Spacing Between High-Current and Low-Level Signal Lines

Kelvin voltage sensing is important to accurately measure current and top and bottom cell voltages. Place all filter components as close as possible to the device. Route the traces from the sense resistor in parallel to the filter circuit. Adding a ground plane around the filter network can add additional noise immunity. Figure 45 and Figure 46 demonstrate correct kelvin current sensing.

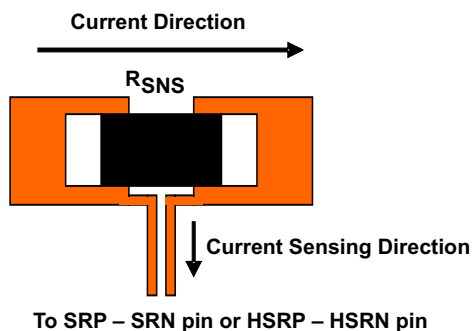


Figure 45. Sensing Resistor PCB Layout

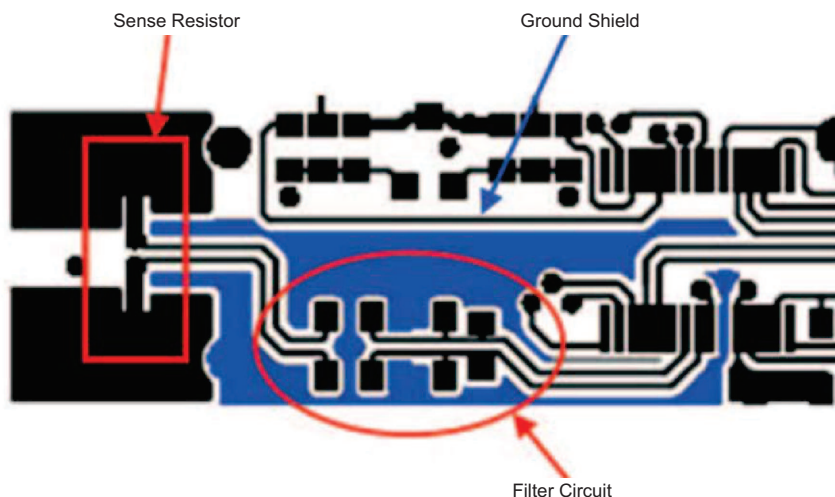
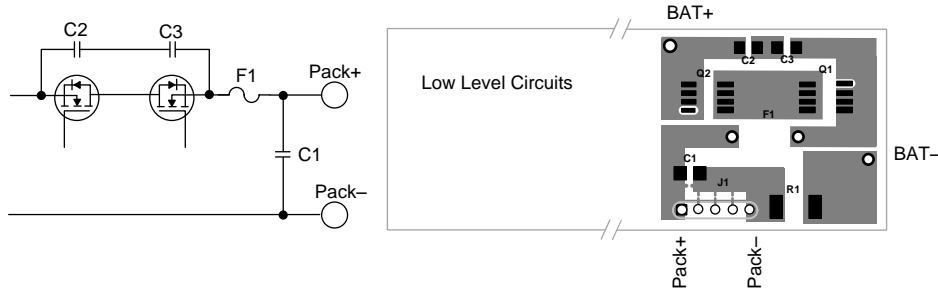


Figure 46. Sense Resistor, Ground Shield, and Filter Circuit Layout

## Layout Guidelines (continued)

### 10.1.1 Protector FET Bypass and Pack Terminal Bypass Capacitors

Use wide copper traces to lower the inductance of the bypass capacitor circuit. In [Figure 47](#), an example layout demonstrates this technique.

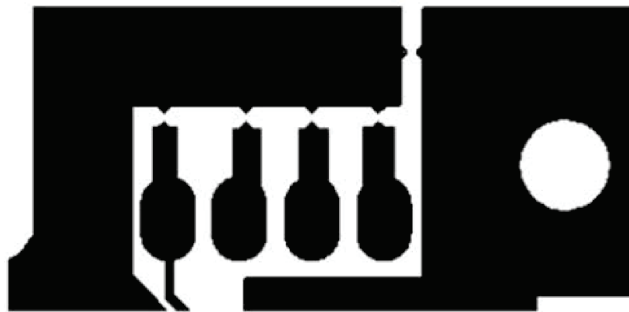


Copyright © 2016, Texas Instruments Incorporated

**Figure 47. Use Wide Copper Traces to Lower the Inductance of Bypass Capacitors C1, C2, and C3**

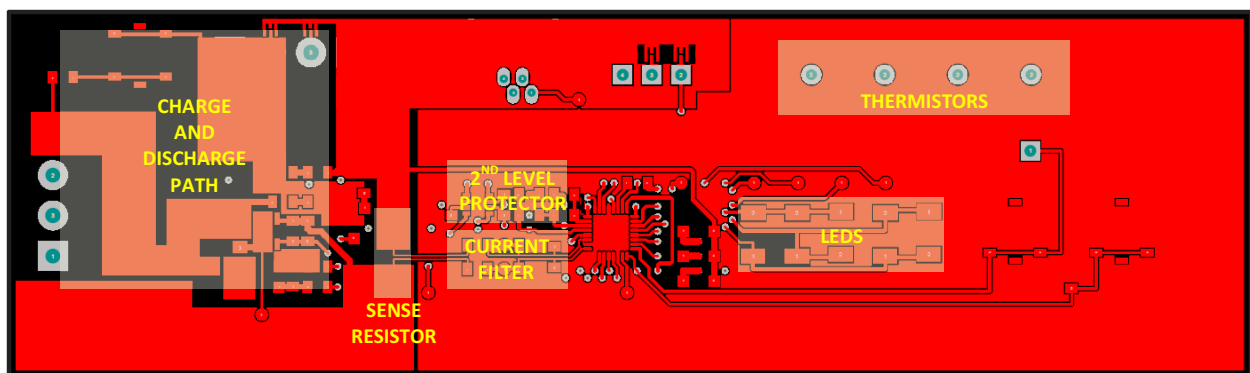
### 10.1.2 ESD Spark Gap

Protect the SMBus clock, data, and other communication lines from ESD with a spark gap at the connector. The pattern in [Figure 48](#) is recommended, with 0.2-mm spacing between the points.



**Figure 48. Recommended Spark-Gap Pattern Helps Protect Communication Lines from ESD**

## 10.2 Layout Example



**Figure 49. Top Layer**

Layout Example (continued)

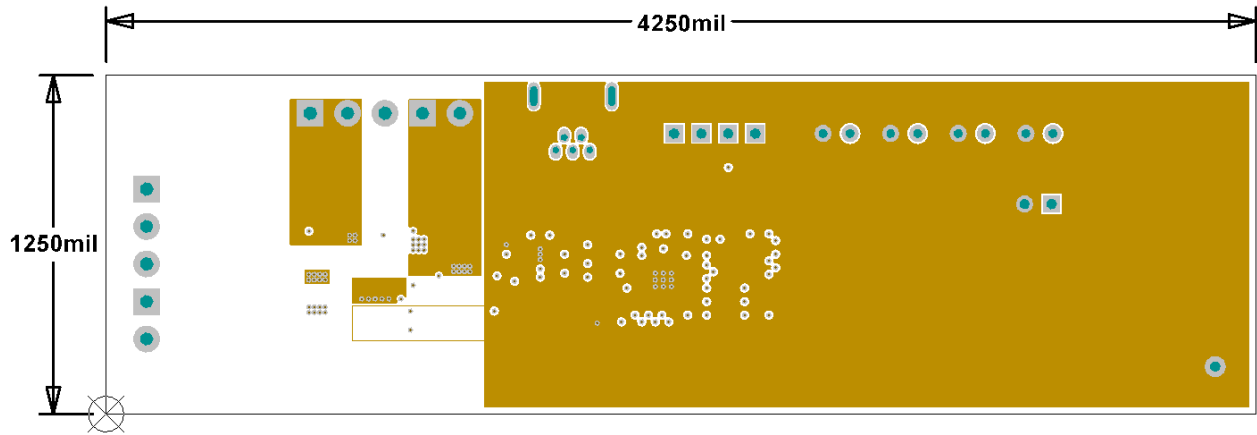


Figure 50. Internal Layer 1

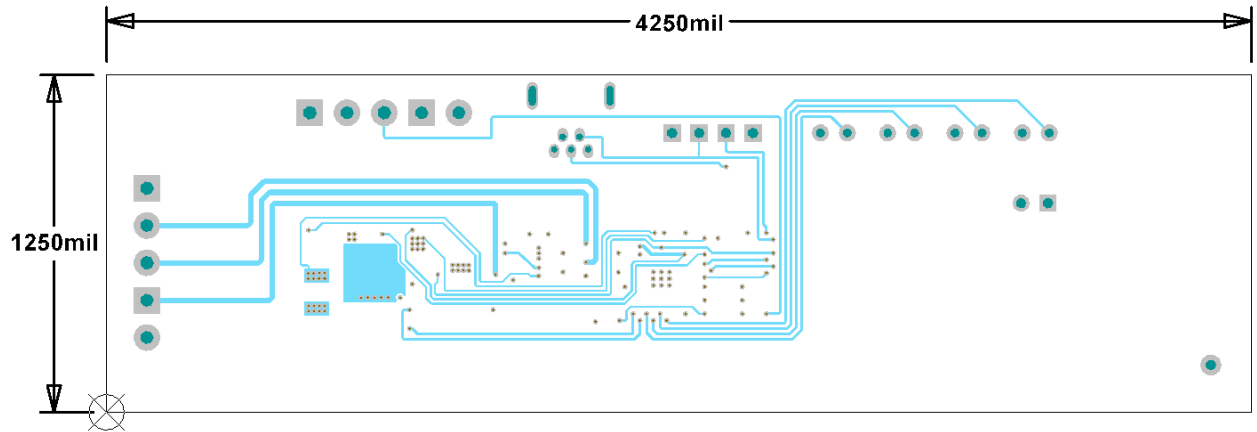


Figure 51. Internal Layer 2

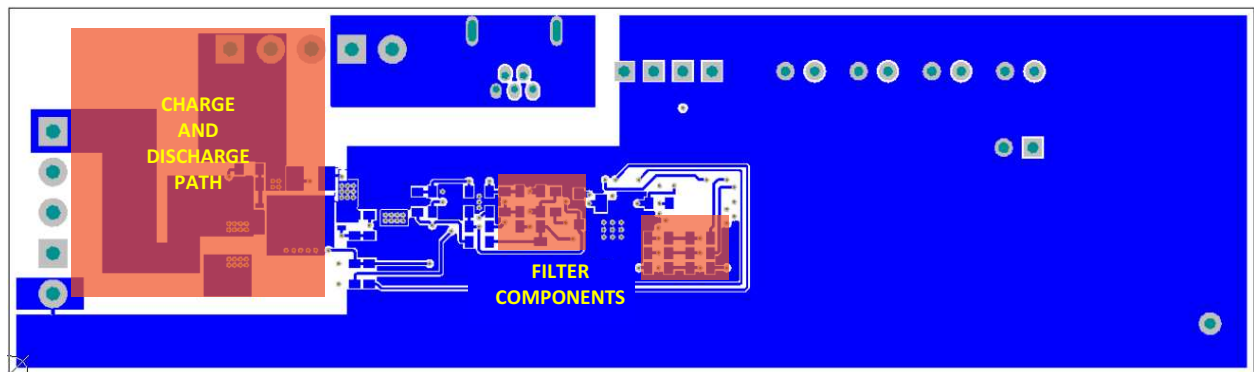


Figure 52. Bottom Layer

## 11 Device and Documentation Support

### 11.1 Documentation Support

#### 11.1.1 Related Documentation

For related documentation, see the *bq4050 Technical Reference Manual* ([SLUUAQ3](#)).

### 11.2 Community Resources

The following links connect to TI community resources. Linked contents are provided "AS IS" by the respective contributors. They do not constitute TI specifications and do not necessarily reflect TI's views; see TI's [Terms of Use](#).

**TI E2E™ Online Community** *TI's Engineer-to-Engineer (E2E) Community*. Created to foster collaboration among engineers. At [e2e.ti.com](http://e2e.ti.com), you can ask questions, share knowledge, explore ideas and help solve problems with fellow engineers.

**Design Support** *TI's Design Support* Quickly find helpful E2E forums along with design support tools and contact information for technical support.

### 11.3 Trademarks

E2E is a trademark of Texas Instruments.

Windows is a registered trademark of Microsoft.

All other trademarks are the property of their respective owners.

### 11.4 Electrostatic Discharge Caution



This integrated circuit can be damaged by ESD. Texas Instruments recommends that all integrated circuits be handled with appropriate precautions. Failure to observe proper handling and installation procedures can cause damage.

ESD damage can range from subtle performance degradation to complete device failure. Precision integrated circuits may be more susceptible to damage because very small parametric changes could cause the device not to meet its published specifications.

### 11.5 Glossary

[SLYZ022](#) — *TI Glossary*.

This glossary lists and explains terms, acronyms, and definitions.

## 12 Mechanical, Packaging, and Orderable Information

The following pages include mechanical, packaging, and orderable information. This information is the most current data available for the designated devices. This data is subject to change without notice and revision of this document. For browser-based versions of this data sheet, refer to the left-hand navigation.

**PACKAGING INFORMATION**

| Orderable Device | Status<br>(1) | Package Type | Package Drawing | Pins | Package Qty | Eco Plan<br>(2) | Lead finish/<br>Ball material<br>(6) | MSL Peak Temp<br>(3) | Op Temp (°C) | Device Marking<br>(4/5) | Samples                 |
|------------------|---------------|--------------|-----------------|------|-------------|-----------------|--------------------------------------|----------------------|--------------|-------------------------|-------------------------|
| BQ4050RSMR       | ACTIVE        | VQFN         | RSM             | 32   | 3000        | RoHS & Green    | NIPDAU                               | Level-2-260C-1 YEAR  | -40 to 85    | BQ4050                  | <a href="#">Samples</a> |
| BQ4050RSMT       | ACTIVE        | VQFN         | RSM             | 32   | 250         | RoHS & Green    | NIPDAU                               | Level-2-260C-1 YEAR  | -40 to 85    | BQ4050                  | <a href="#">Samples</a> |

(1) The marketing status values are defined as follows:

**ACTIVE:** Product device recommended for new designs.

**LIFEBUY:** TI has announced that the device will be discontinued, and a lifetime-buy period is in effect.

**NRND:** Not recommended for new designs. Device is in production to support existing customers, but TI does not recommend using this part in a new design.

**PREVIEW:** Device has been announced but is not in production. Samples may or may not be available.

**OBSOLETE:** TI has discontinued the production of the device.

(2) **RoHS:** TI defines "RoHS" to mean semiconductor products that are compliant with the current EU RoHS requirements for all 10 RoHS substances, including the requirement that RoHS substance do not exceed 0.1% by weight in homogeneous materials. Where designed to be soldered at high temperatures, "RoHS" products are suitable for use in specified lead-free processes. TI may reference these types of products as "Pb-Free".

**RoHS Exempt:** TI defines "RoHS Exempt" to mean products that contain lead but are compliant with EU RoHS pursuant to a specific EU RoHS exemption.

**Green:** TI defines "Green" to mean the content of Chlorine (Cl) and Bromine (Br) based flame retardants meet JS709B low halogen requirements of <=1000ppm threshold. Antimony trioxide based flame retardants must also meet the <=1000ppm threshold requirement.

(3) MSL, Peak Temp. - The Moisture Sensitivity Level rating according to the JEDEC industry standard classifications, and peak solder temperature.

(4) There may be additional marking, which relates to the logo, the lot trace code information, or the environmental category on the device.

(5) Multiple Device Markings will be inside parentheses. Only one Device Marking contained in parentheses and separated by a "~" will appear on a device. If a line is indented then it is a continuation of the previous line and the two combined represent the entire Device Marking for that device.

(6) Lead finish/Ball material - Orderable Devices may have multiple material finish options. Finish options are separated by a vertical ruled line. Lead finish/Ball material values may wrap to two lines if the finish value exceeds the maximum column width.

**Important Information and Disclaimer:**The information provided on this page represents TI's knowledge and belief as of the date that it is provided. TI bases its knowledge and belief on information provided by third parties, and makes no representation or warranty as to the accuracy of such information. Efforts are underway to better integrate information from third parties. TI has taken and continues to take reasonable steps to provide representative and accurate information but may not have conducted destructive testing or chemical analysis on incoming materials and chemicals. TI and TI suppliers consider certain information to be proprietary, and thus CAS numbers and other limited information may not be available for release.

In no event shall TI's liability arising out of such information exceed the total purchase price of the TI part(s) at issue in this document sold by TI to Customer on an annual basis.





**TAPE AND REEL INFORMATION**

**QUADRANT ASSIGNMENTS FOR PIN 1 ORIENTATION IN TAPE**


\*All dimensions are nominal

| Device     | Package Type | Package Drawing | Pins | SPQ  | Reel Diameter (mm) | Reel Width W1 (mm) | A0 (mm) | B0 (mm) | K0 (mm) | P1 (mm) | W (mm) | Pin1 Quadrant |
|------------|--------------|-----------------|------|------|--------------------|--------------------|---------|---------|---------|---------|--------|---------------|
| BQ4050RSMR | VQFN         | RSM             | 32   | 3000 | 330.0              | 12.4               | 4.25    | 4.25    | 1.15    | 8.0     | 12.0   | Q2            |
| BQ4050RSMT | VQFN         | RSM             | 32   | 250  | 180.0              | 12.4               | 4.25    | 4.25    | 1.15    | 8.0     | 12.0   | Q2            |

**TAPE AND REEL BOX DIMENSIONS**


\*All dimensions are nominal

| Device     | Package Type | Package Drawing | Pins | SPQ  | Length (mm) | Width (mm) | Height (mm) |
|------------|--------------|-----------------|------|------|-------------|------------|-------------|
| BQ4050RSMR | VQFN         | RSM             | 32   | 3000 | 367.0       | 367.0      | 35.0        |
| BQ4050RSMT | VQFN         | RSM             | 32   | 250  | 210.0       | 185.0      | 35.0        |

## GENERIC PACKAGE VIEW

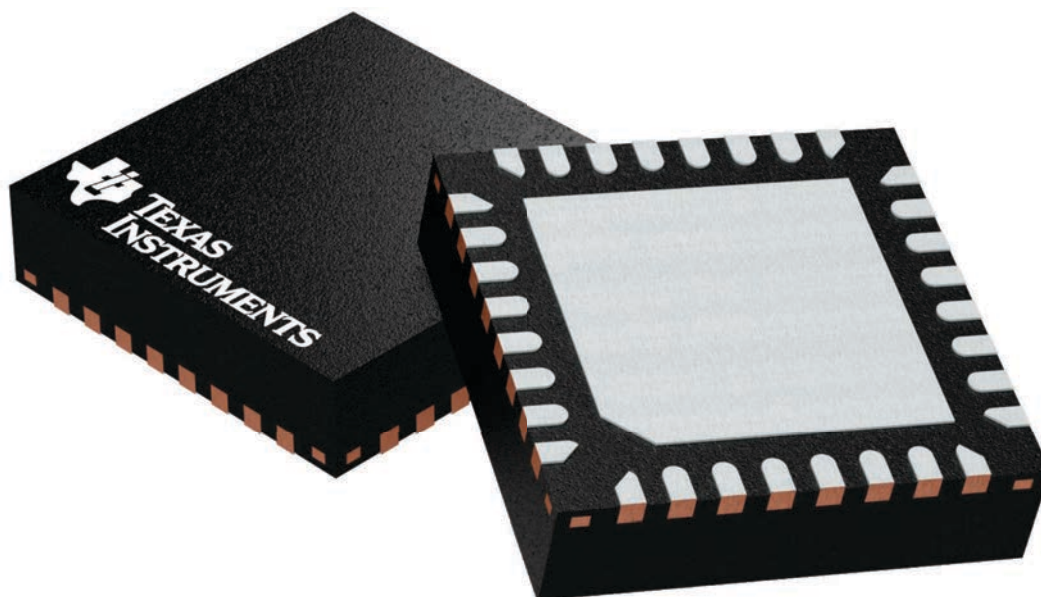
**RSM 32**

**VQFN - 1 mm max height**

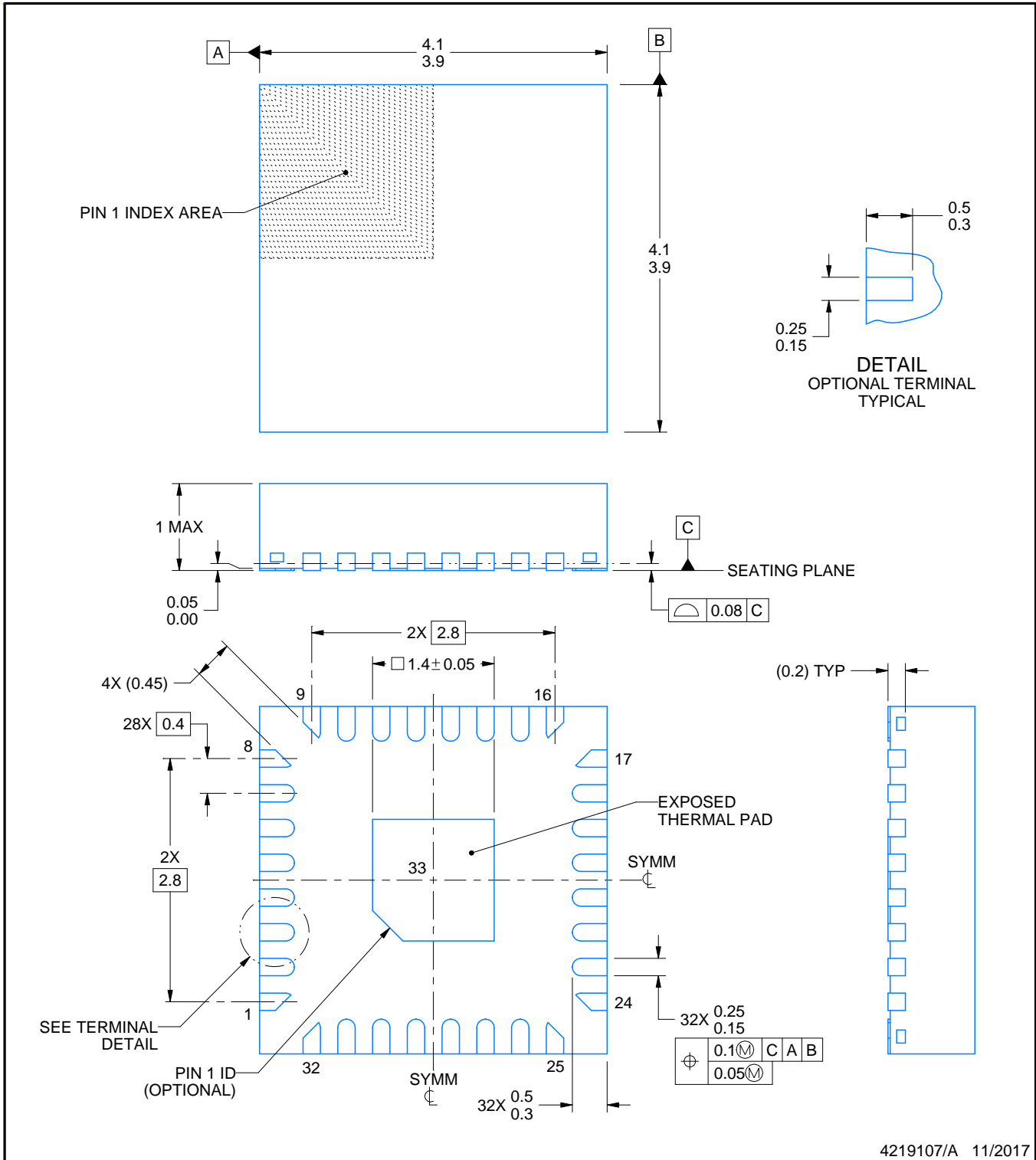
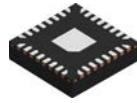
4 x 4, 0.4 mm pitch

PLASTIC QUAD FLATPACK - NO LEAD

This image is a representation of the package family, actual package may vary.  
Refer to the product data sheet for package details.



4224982/A



NOTES:

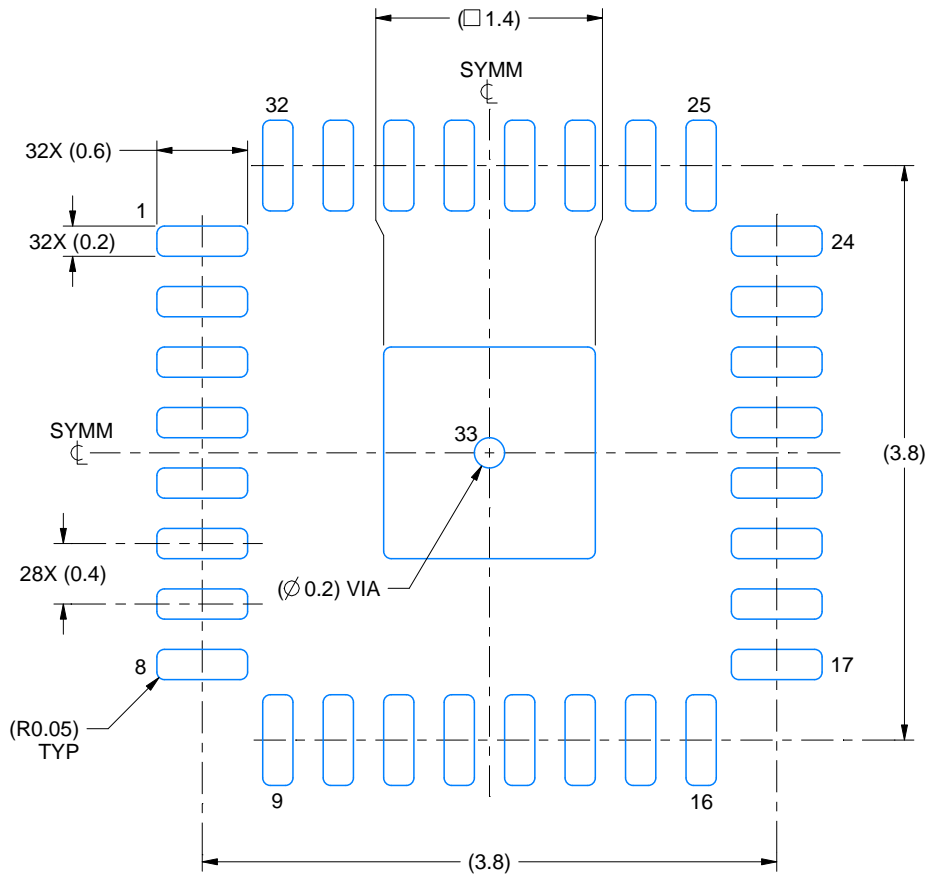
1. All linear dimensions are in millimeters. Any dimensions in parenthesis are for reference only. Dimensioning and tolerancing per ASME Y14.5M.
2. This drawing is subject to change without notice.
3. The package thermal pad must be soldered to the printed circuit board for thermal and mechanical performance.

# EXAMPLE BOARD LAYOUT

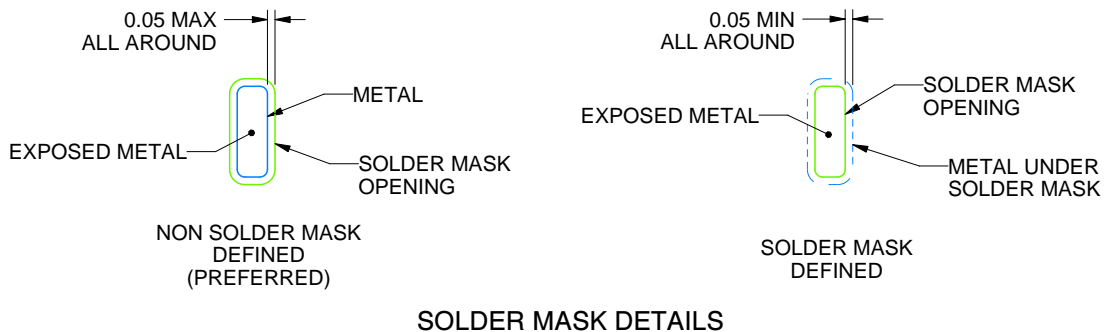
RSM0032A

VQFN - 1 mm max height

PLASTIC QUAD FLATPACK - NO LEAD



LAND PATTERN EXAMPLE  
EXPOSED METAL SHOWN  
SCALE:20X



SOLDER MASK DETAILS

4219107/A 11/2017

NOTES: (continued)

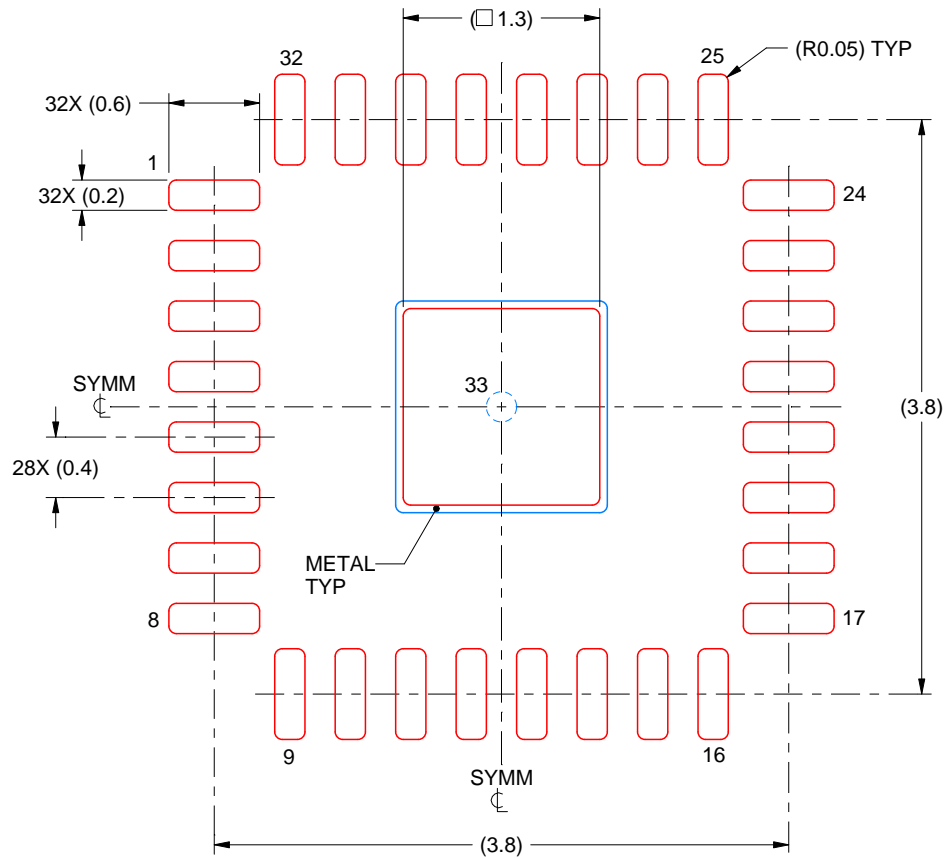
4. This package is designed to be soldered to a thermal pad on the board. For more information, see Texas Instruments literature number SLUA271 ([www.ti.com/lit/sluea271](http://www.ti.com/lit/sluea271)).
5. Vias are optional depending on application, refer to device data sheet. If any vias are implemented, refer to their locations shown on this view. It is recommended that vias under paste be filled, plugged or tented.

# EXAMPLE STENCIL DESIGN

RSM0032A

VQFN - 1 mm max height

PLASTIC QUAD FLATPACK - NO LEAD



SOLDER PASTE EXAMPLE  
BASED ON 0.1 mm THICK STENCIL

EXPOSED PAD 33:  
86% PRINTED SOLDER COVERAGE BY AREA UNDER PACKAGE  
SCALE:20X

4219107/A 11/2017

NOTES: (continued)

6. Laser cutting apertures with trapezoidal walls and rounded corners may offer better paste release. IPC-7525 may have alternate design recommendations.

## IMPORTANT NOTICE AND DISCLAIMER

TI PROVIDES TECHNICAL AND RELIABILITY DATA (INCLUDING DATASHEETS), DESIGN RESOURCES (INCLUDING REFERENCE DESIGNS), APPLICATION OR OTHER DESIGN ADVICE, WEB TOOLS, SAFETY INFORMATION, AND OTHER RESOURCES "AS IS" AND WITH ALL FAULTS, AND DISCLAIMS ALL WARRANTIES, EXPRESS AND IMPLIED, INCLUDING WITHOUT LIMITATION ANY IMPLIED WARRANTIES OF MERCHANTABILITY, FITNESS FOR A PARTICULAR PURPOSE OR NON-INFRINGEMENT OF THIRD PARTY INTELLECTUAL PROPERTY RIGHTS.

These resources are intended for skilled developers designing with TI products. You are solely responsible for (1) selecting the appropriate TI products for your application, (2) designing, validating and testing your application, and (3) ensuring your application meets applicable standards, and any other safety, security, or other requirements. These resources are subject to change without notice. TI grants you permission to use these resources only for development of an application that uses the TI products described in the resource. Other reproduction and display of these resources is prohibited. No license is granted to any other TI intellectual property right or to any third party intellectual property right. TI disclaims responsibility for, and you will fully indemnify TI and its representatives against, any claims, damages, costs, losses, and liabilities arising out of your use of these resources.

TI's products are provided subject to TI's Terms of Sale ([www.ti.com/legal/termsofsale.html](http://www.ti.com/legal/termsofsale.html)) or other applicable terms available either on [ti.com](http://ti.com) or provided in conjunction with such TI products. TI's provision of these resources does not expand or otherwise alter TI's applicable warranties or warranty disclaimers for TI products.

Mailing Address: Texas Instruments, Post Office Box 655303, Dallas, Texas 75265  
Copyright © 2020, Texas Instruments Incorporated