

## Product Brief

# TLE987x Infineon Embedded Power IC

## 3-phase motor driver with integrated Arm® Cortex®-M3 MCU

The TLE987x family is part of the Infineon Embedded Power IC portfolio. The TLE987x is a single chip 3-phase motor driver that integrates the industry standard Arm® Cortex®-M3 core, enabling the implementation of advanced motor control algorithms such as field-oriented control. It includes six fully integrated NFET drivers optimized to drive a 3-phase motor via six external power NFETs, a charge pump enabling low voltage operation and programmable current along with current slope control for optimized EMC behavior. Its peripheral set includes a current sensor, a successive approximation ADC synchronized with the capture and compare unit for PWM control and 16 bit timers. A LIN transceiver is also integrated to enable communication to the device along with a number of general purpose I/Os. It includes an on-chip linear voltage regulator to supply external loads.

The TLE987x family offers scalability in terms of Flash memory sizes and MCU system clock frequency supporting a wide range of motor control algorithms, either sensor based or sensor-less. It uses the same MCU and peripherals as the TLE986x family, 2-phase driver, enabling design synergies between DC and BLDC motor control applications.

It is a highly integrated automotive (Grade-1 & Grade-0) qualified device enabling cost and space efficient solutions for mechatronic BLDC motor drive applications such as pumps and fans.

### Key benefits

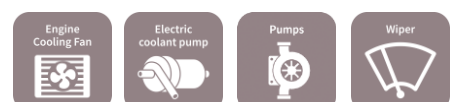
- › **Enable cost and board space improvements** – Our system-on-chip solution integrates data processing, actuation and sensing. The chip comes in a leadless VQFN package with 7x7 mm footprint and enables PCB space saving. The TLE987x family allows driving MOSFETs at  $V_{BATT} \geq 6V$  with a low number of external components, providing a very cost effective solution on a system level. Minimum number of external components reduces BOM cost.
- › **Support in-cabin and underhood applications with same design** – some TLE987x derivatives are qualified up to  $T_j = 175^\circ C$  and therefore enable a family design approach due to pin, package and software-compatibility.
- › **Enable high levels of system reliability** – Extensive diagnostics and protections are embedded within the System-on-Chip, more than a discrete approach can offer. In addition the Embedded Power IC and the external MOSFETs can be protected.

### Key features

- › Arm® Cortex®-M3 MCU
- › System clock up to 40MHz
- › Up to 128kB Flash memory
- › 4K EEPROM emulation
- › NFET drivers with charge pump
- › Current programmable NFET driver with patented slope control for optimized EMC behavior
- › Integrated LIN transceiver compatible with LIN standard 2.2 and SAE J2602-supports fast programming via LIN
- › Direct memory access (DMA)
- › 10-Bit SAR ADC for sensing
- › Timers for PWM signal generation for 3 Phase motor control
- › On chip oscillator & PLL
- › Current sense amplifier
- › Grade-1 & Grade-0 Qualification

### Key applications

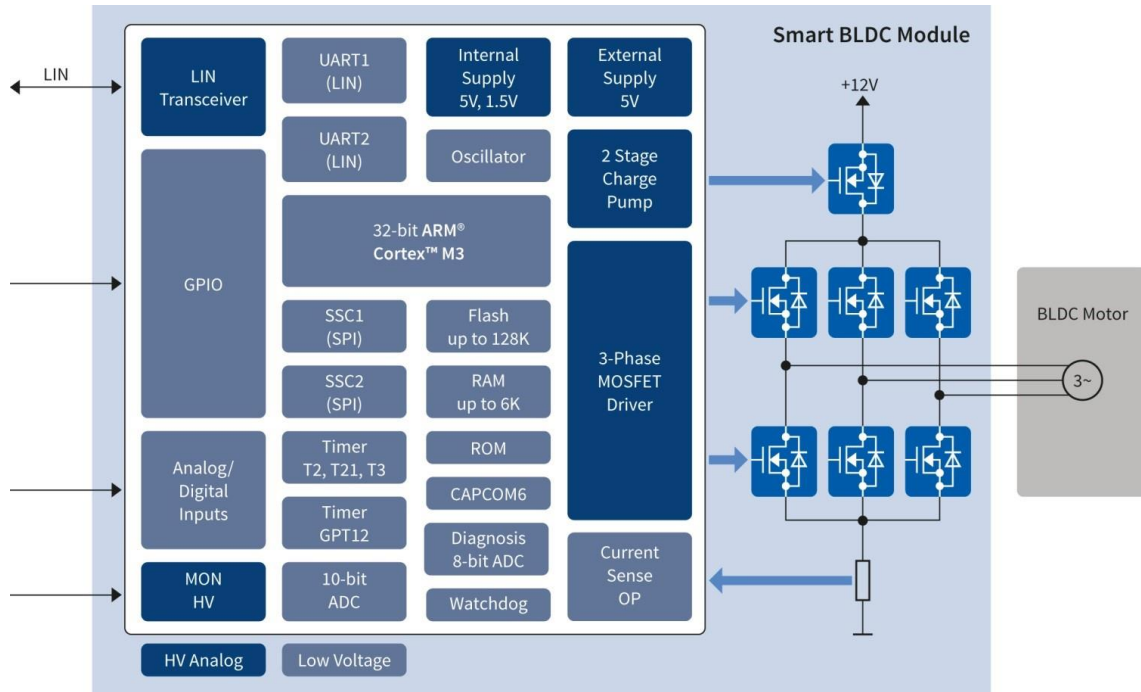
- › Fuel pump
- › Water pump
- › Oil pump
- › HVAC blower
- › Engine cooling fan
- › Wiper
- › Sensor-less and sensor based BLDC motor applications controlled by the Local Interconnect Network (LIN) or PWM.



# TLE987x Infineon Embedded Power IC

## 3-phase motor driver with integrated Arm® Cortex®-M3 MCU

### Block Diagram



### Product Overview TLE987x

Product name	Freq. [MHz]	Interface	FLASH [KB]	RAM [KB]	EEPROM in FLASH included [KB]	OP-AMP	2x14-bit Sigma-elta ADC	Low-Side MOSFET Driver	High-Side MOSFET Driver	T <sub>j</sub>
<b>TLE987xQXA, ARM Cortex M3 based 3-Phase NFET Gate Driver BLDC Motor Control, Grade-1</b>										
TLE9871QXA20	24	PWM	3	36	4	Yes	No	3	3	150°C
TLE9877QXA20	24	PWM + LIN	6	64	4	Yes	No	3	3	150°C
TLE9877QXA40	40	PWM + LIN	6	64	4	Yes	No	3	3	150°C
TLE9879QXA20	24	PWM + LIN	6	128	4	Yes	No	3	3	150°C
TLE9879QXA40	40	PWM + LIN	6	128	4	Yes	No	3	3	150°C
TLE9879-2QXA40	40	PWM + LIN	6	128	4	Yes	Yes	3	3	150°C
<b>TLE987xQXW, ARM Cortex M3 based 3-Phase NFET Gate Driver for BLDC Motor Control, Grade-0</b>										
TLE9873QXW40	40	PWM + LIN	3	48	4	Yes	No	3	3	175°C
TLE9877QXW40	40	PWM + LIN	6	64	4	Yes	No	3	3	175°C
TLE9879QXW40	40	PWM + LIN	6	128	4	Yes	No	3	3	175°C

Published by  
Infineon Technologies AG  
81726 Munich, Germany

© 2019 Infineon Technologies AG.  
All Rights Reserved.

#### Please note!

THIS DOCUMENT IS FOR INFORMATION PURPOSES ONLY AND ANY INFORMATION GIVEN HEREIN SHALL IN NO EVENT BE REGARDED AS A WARRANTY, GUARANTEE OR DESCRIPTION OF ANY FUNCTIONALITY, CONDITIONS AND/OR QUALITY OF OUR PRODUCTS OR ANY SUITABILITY FOR A PARTICULAR PURPOSE. WITH REGARD TO THE TECHNICAL SPECIFICATIONS OF OUR PRODUCTS, WE KINDLY ASK YOU TO REFER TO THE RELEVANT PRODUCT DATA SHEETS PROVIDED BY US. OUR CUSTOMERS AND THEIR TECHNICAL DEPARTMENTS ARE REQUIRED TO EVALUATE THE SUITABILITY OF OUR PRODUCTS FOR THE INTENDED APPLICATION.

WE RESERVE THE RIGHT TO CHANGE THIS DOCUMENT AND/OR THE INFORMATION GIVEN HEREIN AT ANY TIME.

#### Additional information

For further information on technologies, our products, the application of our products, delivery terms and conditions and/or prices, please contact your nearest Infineon Technologies office ([www.infineon.com](http://www.infineon.com)).

#### Warnings

Due to technical requirements, our products may contain dangerous substances. For information on the types in question, please contact your nearest Infineon Technologies office.

Except as otherwise explicitly approved by us in a written document signed by authorized representatives of Infineon Technologies, our products may not be used in any life-endangering applications, including but not limited to medical, nuclear, military, life-critical or any other applications where a failure of the product or any consequences of the use thereof can result in personal injury.

Order Number:  
Date: 02 / 2019