



Information Only Notification

This is to inform you that a change is being made to the following products.

This is a minor change that has no impact on product quality, reliability, electrical or mechanical performance. Affected products will remain fully compliant to all published specifications. Notification is being made for informational purposes only and there is no approval required. Products incorporating this change may be shipped interchangeably with existing unchanged products on or after the issue date of this notification.

Please contact your local Customer Quality Engineer if you have any questions regarding this notification.

Implementation of change:

Description of Change (From) :

1. Features (page 1)
2. Package Marking and Ordering information: Package name = SPM25-FAA (page 1)
3. No Example Circuit for Switching Test Figure (page 7)
4. No Switching Loss Characteristics graph (page 7)
5. V-T Curve of Temperature Output of IC graph Y axis min value changed from 1.0 (page 7)
6. Fault Output voltage : VFO min value changed from 4.5V (page 8, Control Part)
7. Short-Circuit Trip Level: VSC(ref) value changed from min:0.45, typ:0.5, max:0.55V (page 8, Control Part)
8. IFO_T@25deg typ. value changed from 80 uA (page 8, Control Part)
9. IFO_T@75deg typ. item added (page 8, Control Part)
10. VFO_T@25deg typ. value changed from 4.2 V (page 8, Control Part)
11. VFO_T@75deg typ. : item added (page 8, Control Part)

Description of Change (To) :

1. Features: Added UL certified No. E209204 note
2. Package Marking and Ordering information: Package name = SPMFA-A25
3. Added - Figure 5. Example Circuit for Switching Test
4. Added - Figure 6. Switching Loss Characteristics graph
5. Figure 7. V-T Curve of Temperature Output of IC graph Y axis min value changed to 1.3
6. Fault Output Voltage : VFO min value changed to 3.81V
7. Short Circuit Trip Level: VSC(ref) value changed to min:0.46, typ:0.49, max:0.52
8. IFO_T@25deg typ. value changed to 82.5 uA
9. IFO_T@75deg typ. :added 207.5 uA
10. VFO_T@25deg typ. value changed to 4.18 V

11. VFO_T@75deg typ. : added 2.93 V value

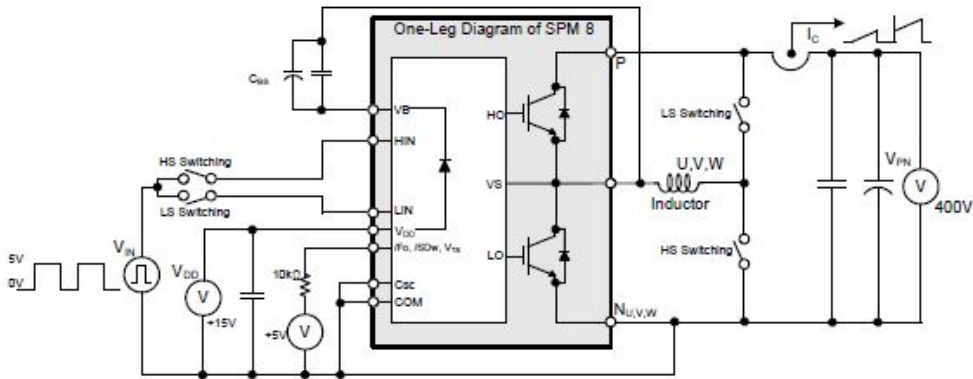


Figure 5. Example Circuit for Switching Test

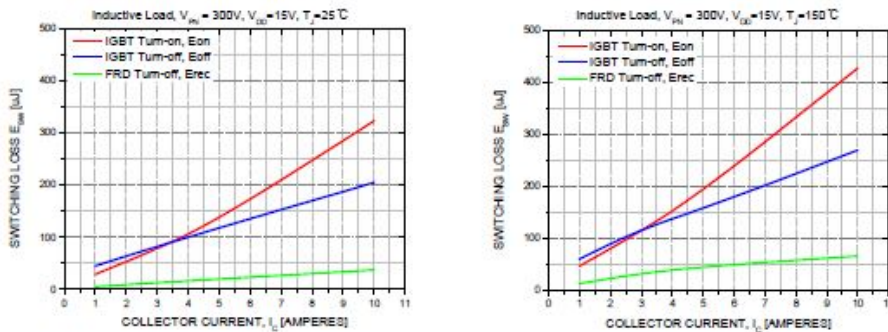


Figure 6. Switching Loss Characteristics

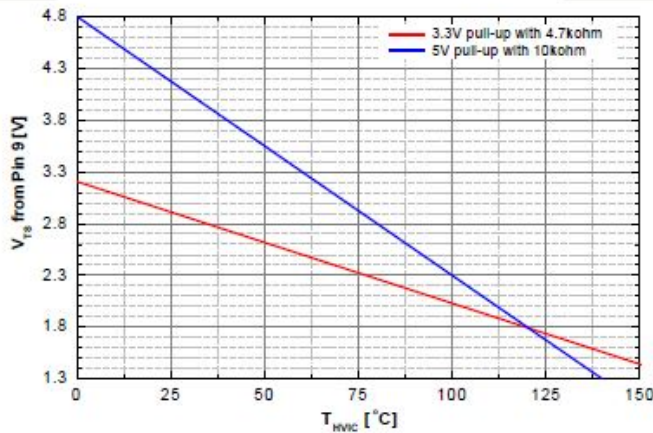


Figure 7. V-T Curve of Temperature Output of IC

Reason for Change:
This is a Datasheet change only.

Updating datasheet to add additional information and correct parameter values where needed to align correct with test and characterization data.



Affected Product(s):

FNB81060T3		
------------	--	--



Appendix A: Changed Products

Customer

PCN Number : P6A4AAB

Customer Name :

Customer Code :

Product	Customer Part Number	BBB	Drawing
FNB81060T3		Y	N