

Keywords: linear regulator, output current, load regulation

## APPLICATION NOTE 3865

# Single Resistor Provides Extra Current from a Linear Regulator

Jul 19, 2006

*Abstract: A small resistor between the input and output of a linear regulator can boost the available output current.*

Adding a 33Ω resistor between the input and output of a linear regulator, as shown in **Figure 1**, boosts the regulator's output current to 200mA. Note: this technique requires that the application draws a known minimum output current.

IC1 by itself provides a maximum output current of 150mA, but for applications that require a slightly higher maximum while maintaining a finite minimum, the small resistor offers a simple and stable solution. For the Figure 1 circuit, adding the 33Ω resistor boosts the maximum by 50mA while imposing a minimum output current ( $I_{MIN}$ ) of 50mA:

$$I_{MIN} = I_{BOOST} = \frac{V_{IN} - V_{OUT}}{R}$$

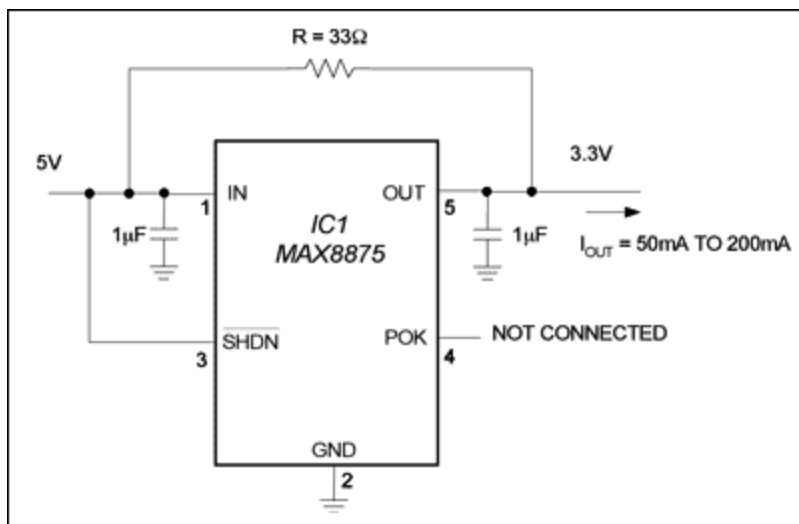


Figure 1. Adding a 33Ω resistor boosts the output current of this linear regulator from 150mA to 200mA (the application must draw a known minimum output current).

Like most linear regulators, IC1 is unable to maintain regulation by sinking current. If the output current

( $I_{OUT}$ ) drops below  $I_{MIN}$ , the output voltage rises above the regulated level, as high as  $V_{IN}$ , according to Kirchoff's Law:

$$V_{OUT} = V_{IN} - I_{OUT}R$$

**Figure 2** compares load regulation for the Figure 1 circuit with and without the extra resistor. The dotted line represents output voltage (with the resistor in place) when  $I_{OUT}$  drops below  $I_{MIN}$ .

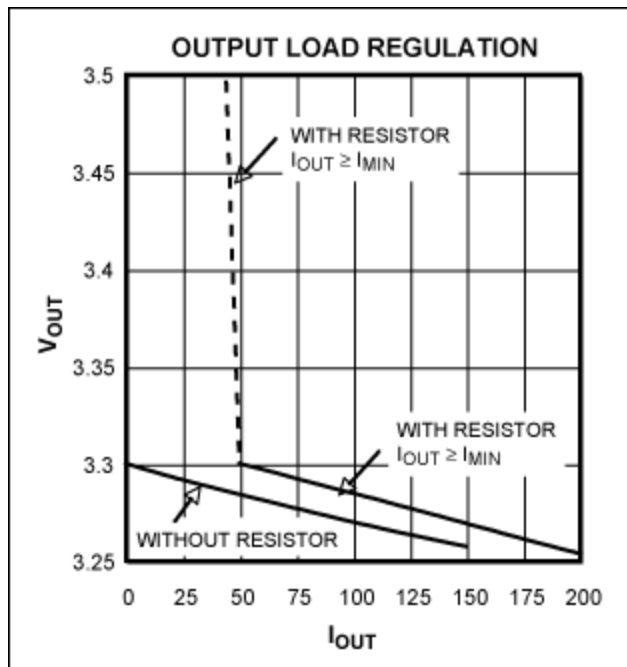


Figure 2. Output-load regulation for the Figure 1 circuit shows that the application must draw a minimum output current (50mA, in this case).

This design idea appeared in the October 2005 issue of *Electronic Techniques* (China).

#### Related Parts

**MAX8875**

150mA, Low-Dropout Linear Regulator with Power OK Output

[Free Samples](#)

#### More Information

For Technical Support: <http://www.maximintegrated.com/support>

For Samples: <http://www.maximintegrated.com/samples>

Other Questions and Comments: <http://www.maximintegrated.com/contact>

Application Note 3865: <http://www.maximintegrated.com/an3865>

APPLICATION NOTE 3865, AN3865, AN 3865, APP3865, Appnote3865, Appnote 3865

Copyright © by Maxim Integrated Products

Additional Legal Notices: <http://www.maximintegrated.com/legal>